



Collection: STILLNESS

Finish*:



CP - Polished
Chrome

Features

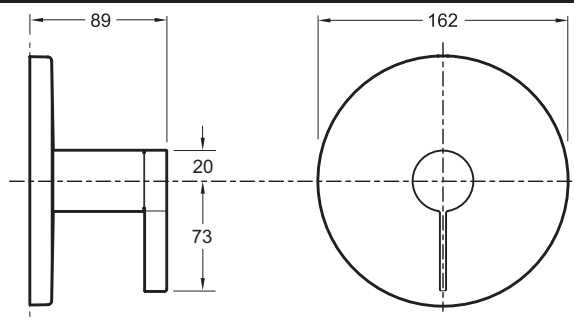
- Weight: 2.9 kg
- Steamlined element. pure design and industrial integrity lend aesthetic functionality to minimal spaces

- Installation: Wall-mount

Required products

- N123K:

Technical drawing



Product Specification: Thermostatic shower trim. T10940-4. Collection: STILLNESS. Weight: 2.9 kg. Installation: Wall-mount. Steamlined element. pure design and industrial integrity lend aesthetic functionality to minimal spaces.