



Collection: APARU

Finish\*:



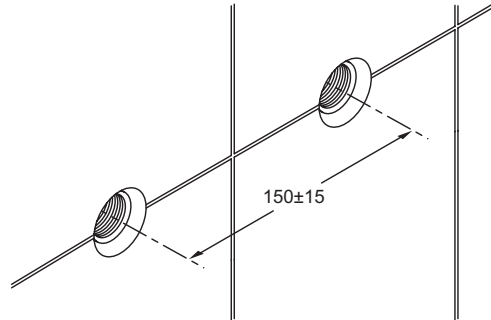
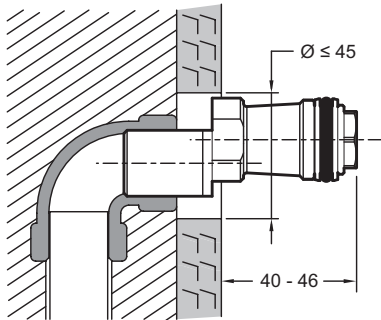
NF - Neutral

## Features

• Weight: 0.6 kg

• For easy and quick installation in renovation

## Technical drawing



Product Specification: Renovation kit. R8A945KENF. Collection: APARU. Weight: 0.6 kg. For easy and quick installation in renovation.