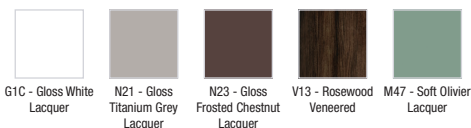




Collection: PRESQU'ÎLE

Finish*:



Main features:



Features

- Dimensions: 50 x 41 x 45 cm
- Material: Lacquer or wood veneer
- Unique design. elegant finishes. smart storage solutions for a sophisticated bathroom
- Weight: 20 kg
- Installation: Wall-hung
- 2 slow-close drawers with compartments

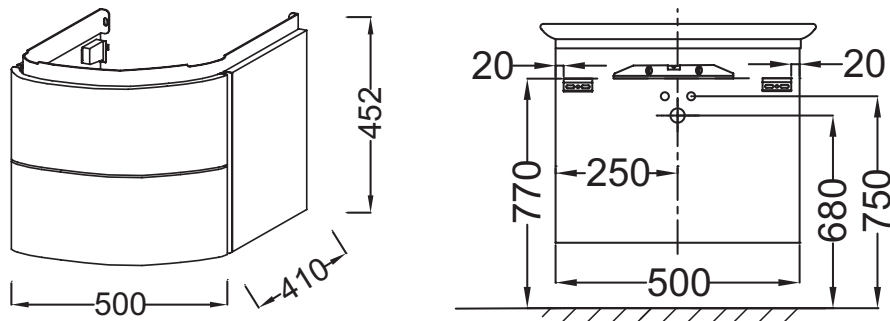
Required products

- 4125K: 1-hole vanity top 60 cm

Optional products

- EB1107: Mirror 50 cm
- 8422RK: Tall column, right hinges, 150 cm
- 8422LK: Tall column, left hinges, 150 cm

Technical drawing



Product Specification: Base unit 50 cm . EB1102. Collection: PRESQU'ÎLE. Dimensions: 50 x 41 x 45 cm. Weight: 20 kg. Material: Lacquer or wood veneer. Installation: Wall-hung. Unique design. elegant finishes. smart storage solutions for a sophisticated bathroom. 2 slow-close drawers with compartments.