

### Sliding door, reversible installation for left or right opening, size 140 cm E22C140



**Collection:** CONTRA

**Finish\*:**



GA - Bright  
Anodised

**Main features:**

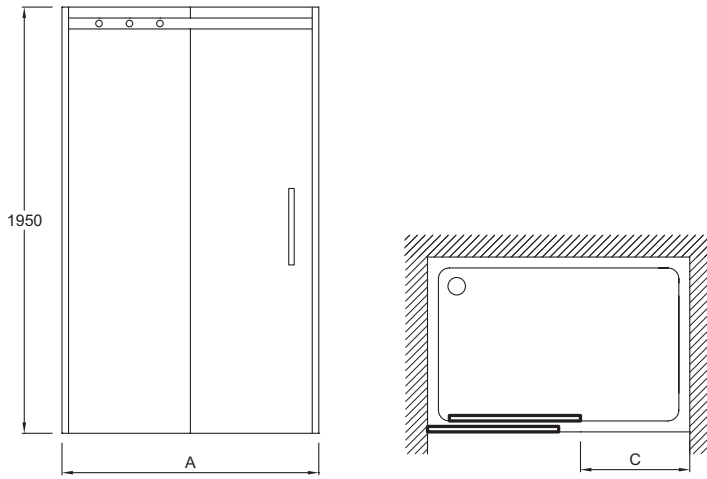


## Features

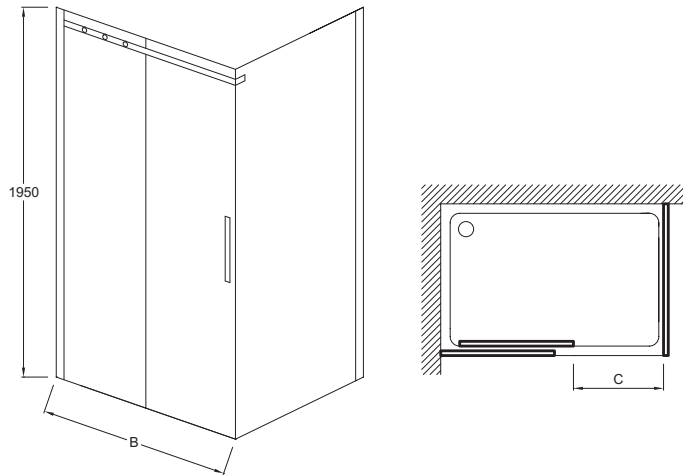
- Installation: Alcove
- Min/max width with fixed panel: 136.5 - 138.5
- Installation: Reversible
- Frame with upper cap and concealed hardware
- Wall adjustment 15 mm/20 mm. Height 195 cm
- Optional: Corner installation with fixed side panel
- Min/max width with single door : 137.5 - 140.5
- Opening : 54
- 8 mm clear coated glass
- Integral lift mechanism to reduce seal friction on floor
- Chrome door sill supplied for seal

Product Specification: Sliding door, reversible installation for left or right opening, size 140 cm. E22C140. Collection: CONTRA. Installation: Alcove. Min/max width with single door : 137.5 - 140.5. Min/max width with fixed panel: 136.5 - 138.5. Opening : 54. Installation: Reversible. 8 mm clear coated glass. Frame with upper cap and concealed hardware. Integral lift mechanism to reduce seal friction on floor. Wall adjustment 15 mm/20 mm. Height 195 cm. Chrome door sill supplied for seal. Optional: Corner installation with fixed side panel.

# Technical drawing



	E22C120	E22C140	E22C160	E22C170
Mm	1200	1400	1600	1700
A mini/maxi	1175 / 1205	1375 / 1405	1575 / 1605	1675 / 1705
C	440	540	640	640



	E22C120	E22C140	E22C160	E22C170
Mm	1200	1400	1600	1700
A mini/maxi	1165 / 1185	1365 / 1385	1565 / 1585	1665 / 1685
C	440	540	640	640

Product Specification: Sliding door, reversible installation for left or right opening, size 140 cm. E22C140. Collection: CONTRA. Installation: Alcove. Min/max width with single door : 137.5 - 140.5. Min/max width with fixed panel: 136.5 - 138.5. Opening : 54. Installation: Reversible. 8 mm clear coated glass. Frame with upper cap and concealed hardware. Integral lift mechanism to reduce seal friction on floor. Wall adjustment 15 mm/20 mm. Height 195 cm. Chrome door sill supplied for seal. Optional: Corner installation with fixed side panel.