



Collection: STANCE

Finish*:



CP - Polished
Chrome

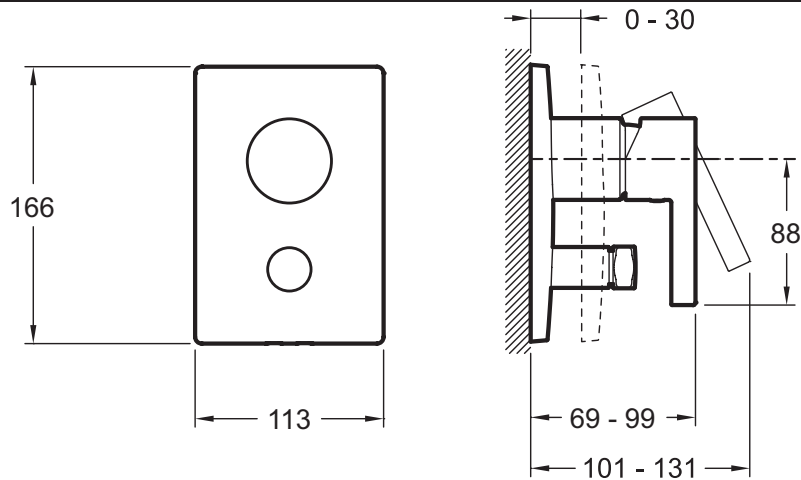
Features

- Installation: Wall-mount
- Incl. non-return valve
- Ceramic disk cartridge
- Incl. single-lever built-in mixer
- Automatic diverter with locking option
- DVGW NW-6512CP0428

Required products

- 98699D: Universal concealed box

Technical drawing



Product Specification: Trim and lever for built-in bath-shower mixer. 98723D. Collection: STANCE. Installation: Wall-mount. Incl. single-lever built-in mixer. Incl. non-return valve. Automatic diverter with locking option. Ceramic disk cartridge. DVGW NW-6512CP0428.