



Collection: CÜFF

Finish*:



CP - Polished
Chrome

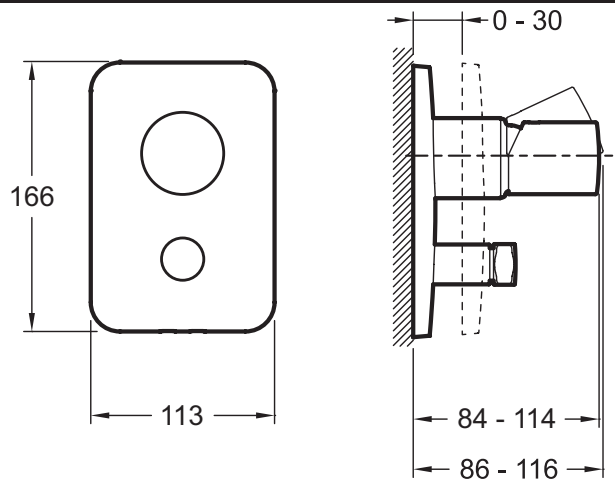
Features

- Weight: 2.5 kg
- Normes: ACS (Certificate of Sanitary Compliance): 10 ACC LY 004
- Incl. non-return valve
- Ceramic disk cartridge
- Installation: Wall-mount
- Incl. single-lever built-in mixer
- Automatic diverter with locking option
- DVGW NW-6512CP0428

Required products

- 98699D: Universal concealed box

Technical drawing



Product Specification: Trim and lever for built-in bath-shower mixer. 98719D. Collection: CÜFF. Weight: 2.5 kg. Installation: Wall-mount. Normes: ACS (Certificate of Sanitary Compliance): 10 ACC LY 004. Incl. single-lever built-in mixer. Incl. non-return valve. Automatic diverter with locking option. Ceramic disk cartridge. DVGW NW-6512CP0428.