

Trim and lever for built-in bath-shower mixer 98714D



Collection: JULY

Finish*:



CP - Polished Chrome

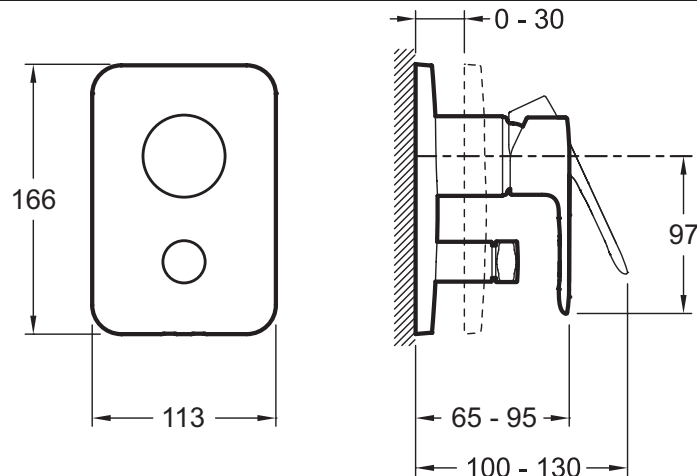
Features

- Weight: 2.6 kg
- Normes: ACS (Certificate of Sanitary Compliance): 10 ACC LY 004
- Mount with Modulo universal box 98699D
- Easy-to-install cartridge, thanks to guide notches
- Quick trim assembly
- Easy access to built-in body for convenient maintenance (cartridge, etc.)
- Temperature and flow adjustment with mechanical mixer cartridge
- Installation: Wall-mount
- Lockable automatic diverter
- Kit composed of built-in body, trim, handle and diverter
- Pre-assembled fixing screws on cartridge box to make installation easier
- Equipped with an evacuation system to avoid condensation inside Modulo box
- July ergonomic handle for easy grip
- Connect to two outlets (e.g., showerhead, handshower, bath spout)

Required products

- 98699D: Universal concealed box

Technical drawing



Product Specification: Trim and lever for built-in bath-shower mixer. 98714D. Collection: JULY. Weight: 2.6 kg. Installation: Wall-mount. Normes: ACS (Certificate of Sanitary Compliance): 10 ACC LY 004. Lockable automatic diverter. Mount with Modulo universal box 98699D. Kit composed of built-in body, trim, handle and diverter. Easy-to-install cartridge, thanks to guide notches. Pre-assembled fixing screws on cartridge box to make installation easier. Quick trim assembly. Equipped with an evacuation system to avoid condensation inside Modulo box. Easy access to built-in body for convenient maintenance (cartridge, etc.). July ergonomic handle for easy grip. Temperature and flow adjustment with mechanical mixer cartridge. Connect to two outlets (e.g., showerhead, handshower, bath spout).