



Collection: STRAYT

Finish*:



CP - Polished
Chrome

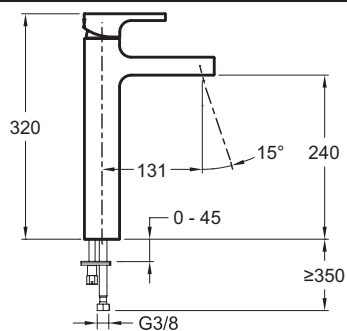
Main features:



Features

- Installation: 1 hole
- Ceramic disc cartridge
- Water saving feature
- Flow rate: 5 l/mn
- Incl. pop-up drain
- Anti-scale aerator

Technical drawing



Product Specification: Tall single-lever washbasin mixer. 98340D. Collection: STRAYT. Installation: 1 hole. Flow rate: 5 l/mn. Ceramic disc cartridge. Incl. pop-up drain. Water saving feature. Anti-scale aerator.