

Thermostatic shower column 9114D



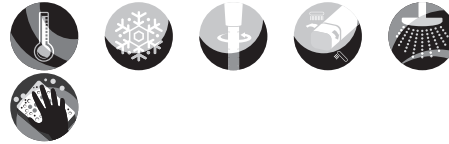
Collection: APARU

Finish*:



CP - Polished Chrome

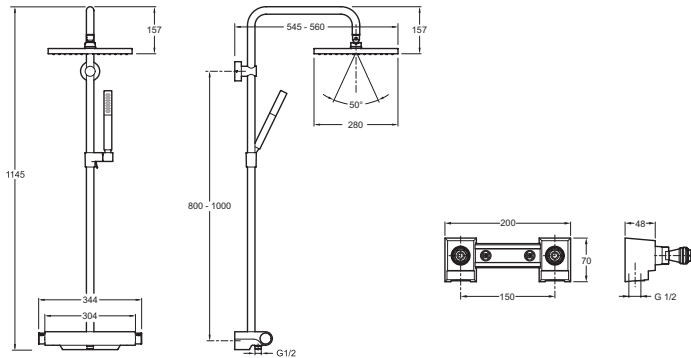
Main features:



Features

- **Weight:** 14 kg
- **Flow rate:** showerhead 11 l/min. handshower 9 l/min
- Built-in plate included
- Square showerhead 28 x 28 cm
- Safety stop 38°C
- Elastomer retractable handles
- Wide surface area and integral handshower support
- Smooth, anti-twist metal look hose. 1.60 cm
- **Installation:** Wall-mount
- Integrated non return valve
- Shower column with thermostatic mixer
- Maximum temperature 50°C
- Shift Ellipse handshower
- Diverter on flow control handle
- Cold body scald protection

Technical drawing



Product Specification: Thermostatic shower column. 9114D. Collection: APARU. Weight: 14 kg. Installation: Wall-mount. Flow rate: showerhead 11 l/min. handshower 9 l/min. Integrated non return valve. Built-in plate included. Shower column with thermostatic mixer. Square showerhead 28 x 28 cm. Maximum temperature 50°C. Safety stop 38°C. Shift Ellipse handshower. Elastomer retractable handles. Diverter on flow control handle. Wide surface area and integral handshower support. Cold body scald protection. Smooth, anti-twist metal look hose. 1.60 cm.