



**Collection:** MOXIE

**Finish\*:**



CP - Polished Chrome

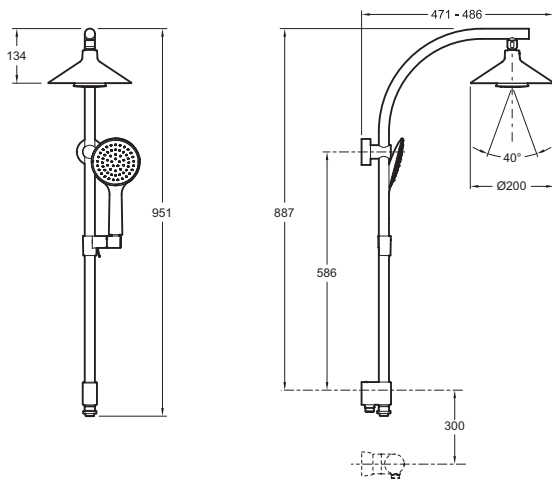
**Main features:**



## Features

- Weight: 6 kg
- Flow rate: 10 l/mn
- Ø 200mm Showerhead + Wireless Speaker
- Easy to clean silicone sprayface
- Discreetly-positionned diverter
- Smooth, anti-twist metal look hose, 160 cm
- Flow rate: showerhead 9.5l/min.. handshower 9.5l/min.
- Installation: Wall-mount
- Height under spout: 951 mm
- 80 angle nozzles provide complete coverage
- Wireless sound capsule with Stand and USB charging cable - magnetic speaker syncs with any Bluetooth device to listen to music under or outside the shower
- Handshower
- Adjustable, sliding holder

## Technical drawing



Product Specification: Shower column Ø 200 mm, 8079D. Collection: MOXIE. Weight: 6 kg. Installation: Wall-mount. Flow rate: 10 l/mn. Height under spout: 951 mm. Ø 200mm Showerhead + Wireless Speaker. 80 angle nozzles provide complete coverage. Easy to clean silicone sprayface. Wireless sound capsule with Stand and USB charging cable - magnetic speaker syncs with any Bluetooth device to listen to music under or outside the shower. Discreetly-positionned diverter. Handshower. Smooth, anti-twist metal look hose, 160 cm. Adjustable, sliding holder. Flow rate: showerhead 9.5l/min.. handshower 9.5l/min..