

### Mirrored cabinet 80 cm, left hinges 3924D-L



**Collection:** NO COLLECTION

**Finish\*:**



NF - Neutral

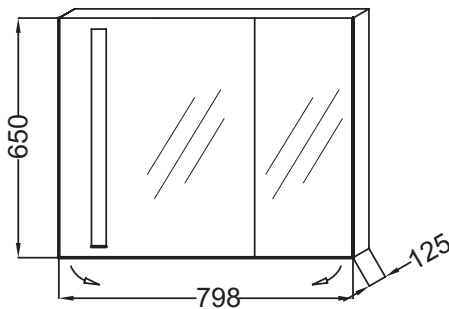
**Main features:**



## Features

- **Dimensions:** 80 x 12.5 x 65
- **Installation:** Wall-mount
- 1 right-hand niche compartment
- 1 magnet bar
- 2 glass shelves
- Fluorescent lighting: 230V, 2 x 14 W, class II, IP44, energy efficiency class A+
- **Weight:** 25.8 kg
- 2 reversible slow-close mirror doors
- 1 socket 8.7 cm from left edge
- storage tray
- infrared sensor switch under fluorescent tube
- Note: the infrared sensor switch requires a gap of at least 15 cm between itself and the tile or other object

## Technical drawing



Product Specification: Mirrored cabinet 80 cm, left hinges. 3924D-L. Collection: NO COLLECTION. Dimensions: 80 x 12.5 x 65. Weight: 25.8 kg. Installation: Wall-mount. 2 reversible slow-close mirror doors. 1 right-hand niche compartment. 1 socket 8.7 cm from left edge. 1 magnet bar. storage tray. 2 glass shelves. Infrared sensor switch under fluorescent tube. Fluorescent lighting: 230V, 2 x 14 W, class II, IP44, energy efficiency class A+. Note: the infrared sensor switch requires a gap of at least 15 cm between itself and the tile or other object.