

Mirrored cabinet 50 cm, right hinges 3923D-R



Collection: NO COLLECTION

Finish*:



NF - Neutral

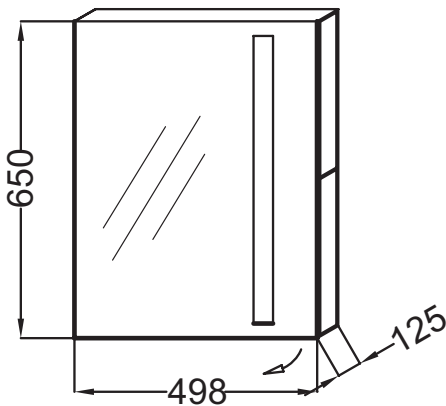
Main features:



Features

- **Dimensions:** 50 x 12.5 x 65
- **Installation:** Wall-mount
- 1 socket 8.7 cm from left edge
- storage tray
- infrared sensor switch under fluorescent tube
- **Note:** the infrared sensor switch requires a gap of at least 15 cm between itself and the tile or other object
- **Weight:** 10.3 kg
- 1 reversible slow-close mirror door
- 1 magnet bar
- 2 glass shelves
- Fluorescent lighting: 230V, 1 x 14 W, class II, IP44, energy efficiency class A+

Technical drawing



Product Specification: Mirrored cabinet 50 cm, right hinges. 3923D-R. Collection: NO COLLECTION. Dimensions: 50 x 12.5 x 65. Weight: 10.3 kg. Installation: Wall-mount. 1 reversible slow-close mirror door. 1 socket 8.7 cm from left edge. 1 magnet bar. storage tray. 2 glass shelves. infrared sensor switch under fluorescent tube. Fluorescent lighting: 230V, 1 x 14 W, class II, IP44, energy efficiency class A+. Note: the infrared sensor switch requires a gap of at least 15 cm between itself and the tile or other object.