

Collection: PURISTIC

Finish*:

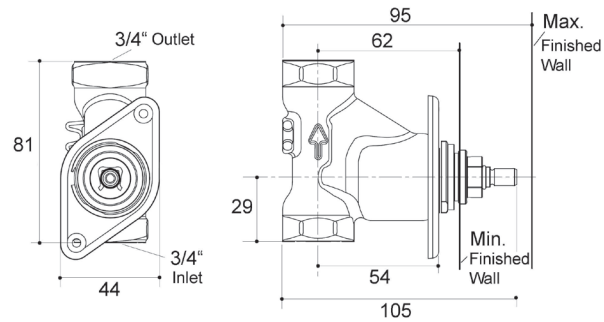


NA - Neutral

Features

- Flow rate: 106 l/min

Technical drawing



Product Specification: Volume control valve 3/4". 2977-K. Collection: PURISTIC. Flow rate: 106 l/min.