



Collection: SPHERIK

Finish*:



00 - White

Features

- Dimensions: 100 x 41
- Material: Ceramic
- Faucet drilling: 1 right faucet hole
- Generous, functional ledge

- Weight: 18.6 kg
- Installation: Self-supporting or can be mounted on a specific cabinet
- Fluidity between curved and straight lines
- Contemporary aesthetics with 1 slightly rounded centre basin

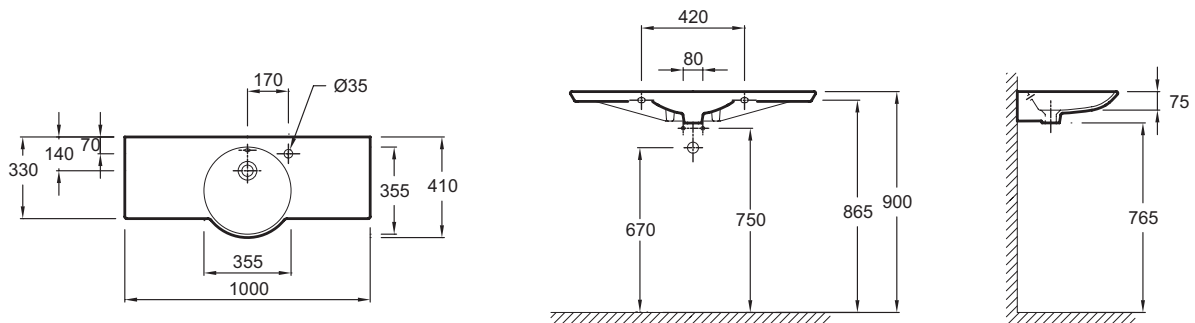
Required products

- E78296: Click pop-up drain
- E78297: Design bottle trap 1 1/4" - short version

Optional products

- E4131: Towel rail
- EB1008-G1C: Single-drawer cabinet 100 cm
- EB1009: single-drawer cabinet 100 cm
- EB1016-G1C: Single-drawer cabinet 100 cm
- EB1017: single-drawer cabinet 100 cm
- 3927K-R: Half side unit, right hinges, 96 cm
- 3927K-L: Half side unit, left hinges, 96 cm
- 3926K-R: Half side unit, right hinges, 96 cm
- 3926K-L: Half side unit, left hinges, 96 cm
- 3925D-R: Mirrored cabinet 98 cm, right hinges
- 3925D-L: Mirrored cabinet 98 cm, left hinges
- EB1161: Mirror 100 cm, with lighting and digital clock
- 98438D: Mirrored cabinet 100 cm
- 99379K: Tall column

Technical drawing



Product Specification: 1-hole vanity top 100 cm. 1988W. Collection: SPHERIK. Dimensions: 100 x 41. Weight: 18.6 kg. Material: Ceramic. Installation: Self-supporting or can be mounted on a specific cabinet. Faucet drilling: 1 right faucet hole. Fluidity between curved and straight lines. Generous, functional ledge. Contemporary aesthetics with 1 slightly rounded centre basin.