



**Collection:** ESCALE

**Finish\*:**



00 - White

**Main features:**



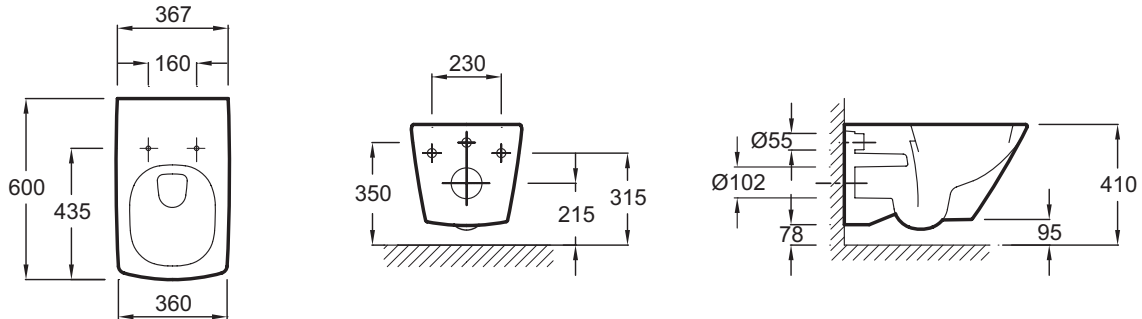
### Features

- Dimensions: 60 x 36
- Material: Ceramic
- Fixings: Concealed fixings included
- Smooth, balanced shape
- Water saving 3/6 dual flush
- Weight: 29 kg
- Installation: Wall-hung
- Hole configuration: Fixing centre: 230 mm.
- Slow-close thermostet seat E70004 with metal hinges included
- The distance between the mounting holes is 230 mm

### Optional products

- E70004: WC seat with slow-close and metal hinges

### Technical drawing



Product Specification: Wall-hung WC pan 60 x 36 cm. 19045W. Collection: ESCALE. Dimensions: 60 x 36. Weight: 29 kg. Material: Ceramic. Installation: Wall-hung. Fixings: Concealed fixings included. Hole configuration: Fixing centre: 230 mm.. Smooth, balanced shape. Slow-close thermostet seat E70004 with metal hinges included. Water saving 3/6 dual flush. The distance between the mounting holes is 230 mm.