



**Collection:** PRESQU'ÎLE

**Finish\*:**



00 - White

### Features

- **Dimensions:** 30 x 50 x 29
- **Material:** Ceramic
- Smooth sided, back-to-wall, concealed fixings (included), for easier cleaning
- Concealed supply and drainage
- **Weight:** 13.3 kg
- **Installation:** Wall-mount
- Siphon action, no rising odours
- Cover and metal hinges included, for elegant look

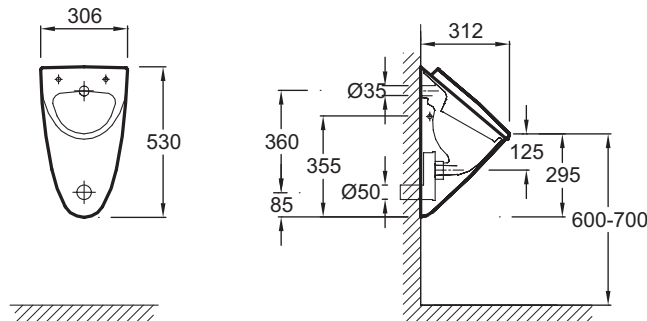
### Required products

- E6807: P-trap siphon
- E75513: Connection kit 1/2" for siphon jet action urinal

### Optional products

- E6330: Urinal cover

### Technical drawing



Product Specification: Urinal 53 x 30.6 cm, 18843D. Collection: PRESQU'ÎLE. Dimensions: 30 x 50 x 29. Weight: 13.3 kg. Material: Ceramic. Installation: Wall-mount. Smooth sided, back-to-wall, concealed fixings (included), for easier cleaning. Siphon action, no rising odours. Concealed supply and drainage. Cover and metal hinges included, for elegant look.