



Collection: EVOK

Finish\*:



00 - White

Main features:



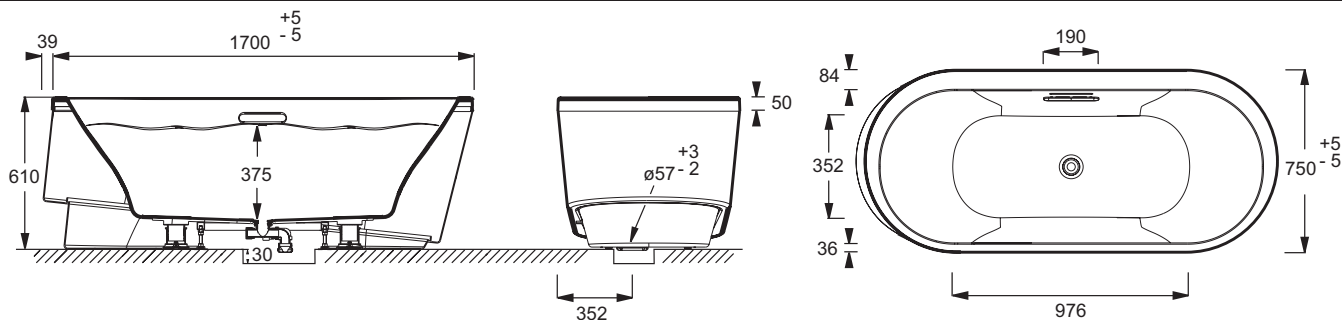
## Features

- Dimensions: 170 x 75
- Material: Acrylic
- Volume: 238/168
- Adjustable feet
- Weight: 70 kg
- Installation: Freestanding
- Shape: Oval

## Required products

- E75307: Trap and connection kit

## Technical drawing



Product Specification: Oval bath, freestanding, 170 x 75 cm. 18347K. Collection: EVOK. Dimensions: 170 x 75. Weight: 70 kg. Material: Acrylic. Installation: Freestanding. Volume: 238/168. Shape: Oval. Adjustable feet.