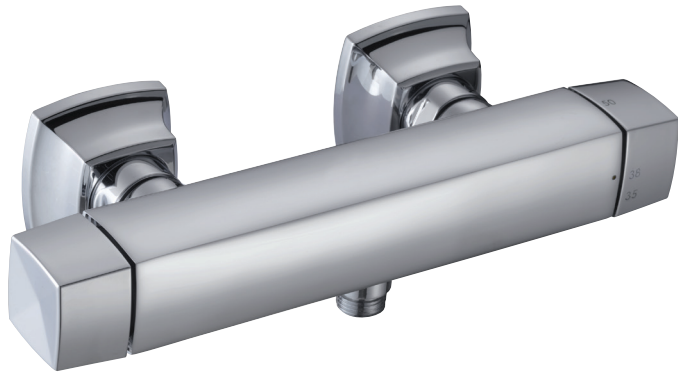


Thermostatic single-lever wall-mount shower mixer 16218D-9



Collection: MARGAUX

Finish*:



CP - Polished
Chrome

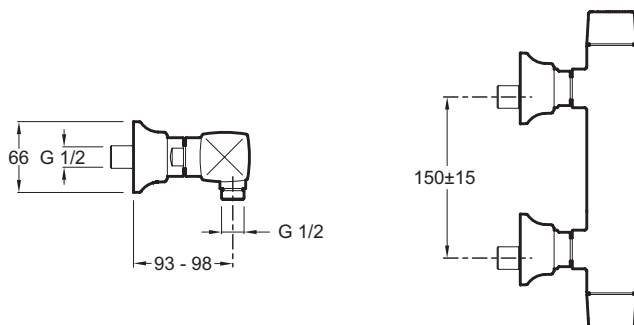
Main features:



Features

- Weight: 2.1 kg
- Flow rate: 13 l/min
- Hole configuration: 150 ± 15 mm
- Installation: Wall-mount
- Connection: With connectors and wall escutcheons
- Margaux offers a unique blend of traditional design elements and modern fluidity to complement eclectic design interiors with refreshed sophistication

Technical drawing



Product Specification: Thermostatic single-lever wall-mount shower mixer. 16218D-9. Collection: MARGAUX. Weight: 2.1 kg. Installation: Wall-mount. Flow rate: 13 l/min. Connection: With connectors and wall escutcheons. Hole configuration: 150 ± 15 mm. Margaux offers a unique blend of traditional design elements and modern fluidity to complement eclectic design interiors with refreshed sophistication.