



**Collection:** SHIFT ELLIPSE

**Finish\*:**

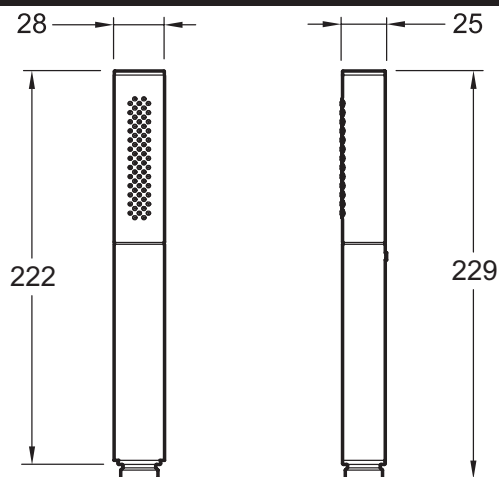


CP - Polished  
Chrome

### Features

- **Weight:** 0.3 kg
- The clean contemporary aesthetic of the Shift<sub>z</sub> Ellipse handshower complements a wide variety of style lines
- Choice of coverage or concentrated sprays
- **Flow rate:** 9 l/min
- 2 anti-scale sprays
- Ergonomic design is comfortable and easy to grip

### Technical drawing



Product Specification: Handshower. 10257D. Collection: SHIFT ELLIPSE. Weight: 0.3 kg. Flow rate: 9 l/min. The clean contemporary aesthetic of the Shift<sub>z</sub> Ellipse handshower complements a wide variety of style lines. 2 anti-scale sprays. Choice of coverage or concentrated sprays. Ergonomic design is comfortable and easy to grip.