



moduloTM
Reinventing the box.

THE BOLD LOOK
OF **KOHLER**[®]



We're reinventing the box.

Introducing Modulo™ from Kohler – a universal valve platform that makes installation easy and showers remarkable. Designed to house a variety of valve configurations, the durable casing installs easily into a range of wall types. The DZR-brass body inside ensures reliable performance you expect from Kohler. And, the entire system is completed by a collection of stylish trim options.

Modulo is not just another universal valve box. It's the box – reinvented.





Find your function.

Choose the correct valve to create the showering experience you want – from a basic shower to a home spa experience.

Discover your desired function.



Single-Control Valve

Without Diverter



Single-Control Valve

With Diverter



Thermostatic Mixer Valve

With 2-Way Diverter
(Also Available As
Stop Valve Configuration)



3-Way Diverter Valve

Find your style.

There is a range of trim styles available for the Modulo™ valve system allowing you to match your own style – or create a style you have not even imagined yet. Modulo is designed for easy updates. **It's easy to upgrade later on.**



Aleo™



Toobi™



Strayt™



Purist™



Aleo+™



Singulier™



Symbol™



Stillness™



Hybrid



Round



Square



Classic



Hybrid



Round



Square



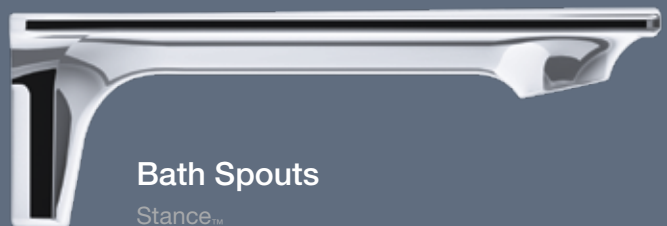
Classic



Showerheads
Purist™



Body Sprays
WaterTile™ Round



Bath Spouts
Stance™

Open the possibilities.

When you start with the Modulo™ valve system, you open up a world of showering possibilities. You can rely on Kohler to provide a broad selection of rainheads, showerheads, body sprays and more. [See where Modulo can take you.](#)

Rainheads

Contemporary Round



Water Delivery Accessories

Shift™ Ellipse



Handshowers

Shift™ Ellipse



Outstanding quality. Easy installation.

Carefully considered upgrades led to the creation of the Modulo™ valve system with features that accommodate a more accurate installation and a variety of showering options.

Durable

Forged DZR brass
resists wear and leaks

Universal Box

Works with all Modulo
valves for multiple
shower installations



Easy Installation

An integrated level and
bracket ensure the box
is properly aligned

Pre-Installation Option

Install Modulo valve box when you are plumbing. Trim selection can be done later, so you can take your time to select from a range of trim styles

Everything you need included in 2 SKUs

1. Modulo box and all installation components
2. Valve, trim and all installation components



Personalization

Customize your experience



Easy Installation

Special features provide
various installation options



Valve

Power your shower with the valve of your choice. Five valves offer different levels of control – and they're easy to change if you choose to upgrade your experience later on.

Easy Installation

O-rings secure screws to prevent slipping during installation

Easy Water Inlet Conversion

Unscrew and switch sleeves to invert cold and hot water ports on thermostatic valves

Low-Pressure Diverter Solution

Locking diverter allows outlet to remain activated in cases of lower water pressure

Won't Scald

Thermostatic valve limits water temperature to 50°C maximum

Simple Maintenance

Easily access and exchange the valve in case of valve failure

No Special Tools Needed

Most installation can be done with a screwdriver

Trim

Give your shower a seamless, clean look with a trim plate and handles. A broad range of design styles with multiple valve options gives you the freedom to choose what suits your style best.

Concealed Installation

Provides a seamless look that won't disturb aesthetic

Easy to Fit/Install

Installation plate assists in a simple installation

Safety Feature

Breathing channels on all trim keeps condensation from forming inside the box

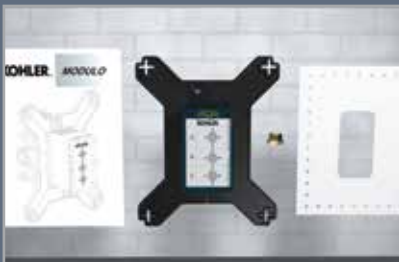
Easy to Upgrade

Choose or change valve and trim style at any time

Simple installation.

Modulo™ valve system has been designed for simple installation. Features like an integral level for accurate installation and water inlet conversion capability help accommodate unique water supplies as well as ensure that common errors are easily addressed. [Get started here.](#)

Box Installation



1 Unpack contents: Modulo box, installation flange, plug, rubber wall seal, flushing insert, protective cap, instructions.



2 Locate proper piping connections. Install connection fittings by clamping the box into a vice.



3 Use integral bubble level to ensure accurate and level installation of the valve box.



4 Install Modulo according to the wall material requirements. Modulo has been designed to install onto solid walls (shown), as well as other types of construction.



5 With the box secure, flush the pipes by turning the water on, ensuring the water passes through the flushing insert.



6 Use the cutting teeth on the box to create a cutting guide and make the proper cuts in your drywall.



7 Apply silicone around the valve box to seal. Apply a layer of glue to the wall and affix the supplied sealing ring. Finish with another layer of glue for a watertight seal.



8 Apply the wall finish. Continue with valve and trim installations at your convenience.

Valve & Trim Installation



1 Unpack valve and trim. Detailed instructions, along with valve, valve cover, screws and trim are included.



2 Cut excess material from the box so it is flush with the wall.



3 Use silicone glue around the box where it meets the wall. Unscrew and remove the flushing plug.



4 Place the valve inside the box using the guide notches for proper placement.



5 With the valve in place, tighten the non-slip screws and secure the valve in the box. Reopen the service stop to turn on the water supply.



6 Install fixation plate, featuring pre-assembled foam gasket, onto the valve. Secure by screwing the plate into the Modulo box.

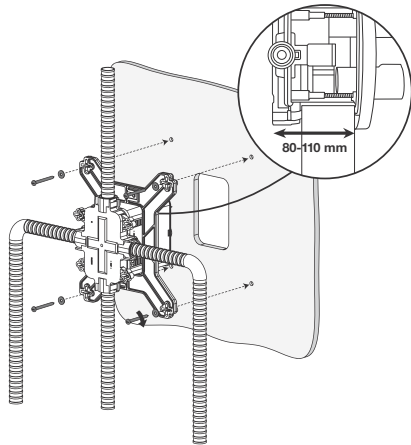


7 Slide trim into place and click handles on, leaving a gap of at least 1-2 mm. After placement, you can enjoy your finished shower.

See your KOHLER® representative to receive information on the installation video.

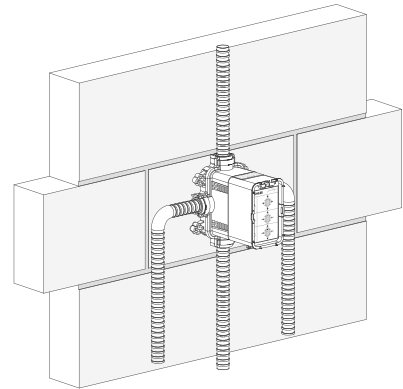
Wall Installation Options

Standard Drywall Installation



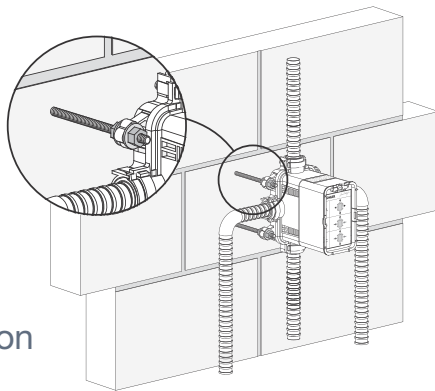
Install inside two walls with a minimum depth of 80 mm and a maximum depth of 110 mm including tiles.

Solid Wall Installation



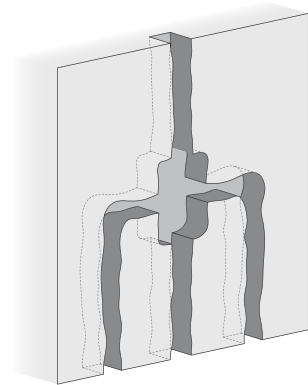
When installing on a solid wall, simply secure the box to the wall with screws in the designated areas.

Anterior Installation on a Solid Wall



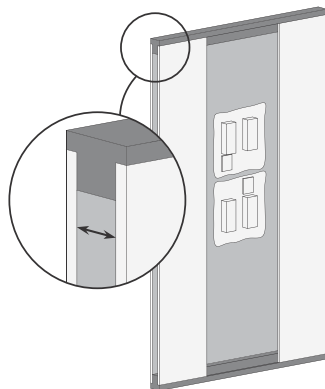
Use this installation when the solid wall is located too deep for the box to be mounted directly.

Installation into Existing Wall



Break out space for the box and pipes in the existing wall, then use brackets to install the Modulo™ valve box. Fill the empty areas with concrete and let it dry. Remove brackets and continue installation.

Thin Wall Installation



When added support is needed on the drywall, mount wood slabs between the staggered Modulo installation areas and secure with screws.

Features and Benefits



Noise Reduction

Watertight features built into the Modulo™ valve system help reduce noise by keeping the valve from touching the rim which mutes the sounds and vibrations of running water.



Choose Valve and Trim Later

Because the Modulo box is a separate SKU from the valve and trim, you can finish your design nearer to the project's completion to avoid the risk of damage or theft during construction.



Easy Water Inlet Conversion

An easy, three-step on-site solution corrects water inlet errors. Simply unscrew and switch the sleeves to invert cold and hot water ports on thermostatic valves without uninstalling the box. There is no need to order a new or special part.

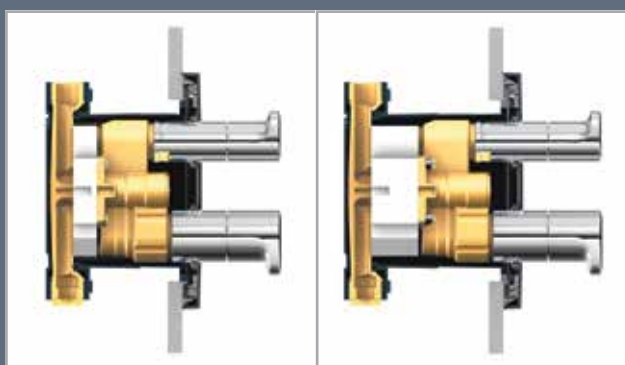
Additional Installation Kits

There are additional installation kits available to accommodate difficult installations including varied wall thicknesses, wall types and other on-site issues that may arise. Two trim models and a connection option give added flexibility to the Modulo™ valve system.



Standard Trim

Extended Trim

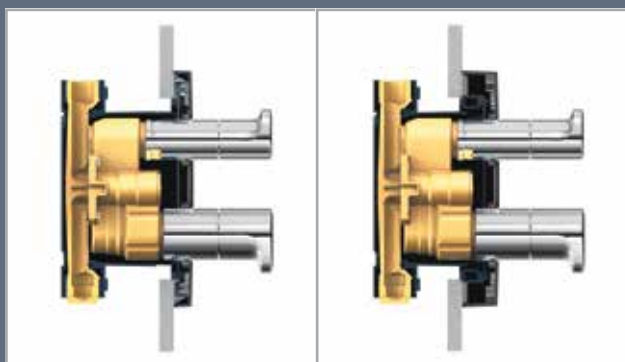


110 - 130 mm depth with
20mm extension kit

130 - 150 mm depth with
40mm extension kit

Deep Wall

When Modulo is installed too deep (110-150 mm), an extension kit allows the box to be set at the proper depth.



80 - 110 mm depth with
standard trim kit

67 - 80 mm depth with
extended trim kit

Thin Wall

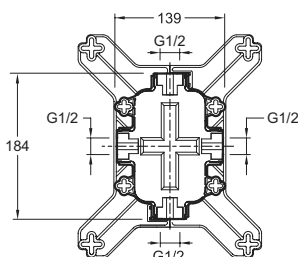
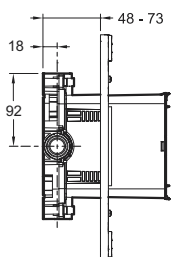
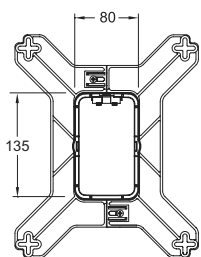
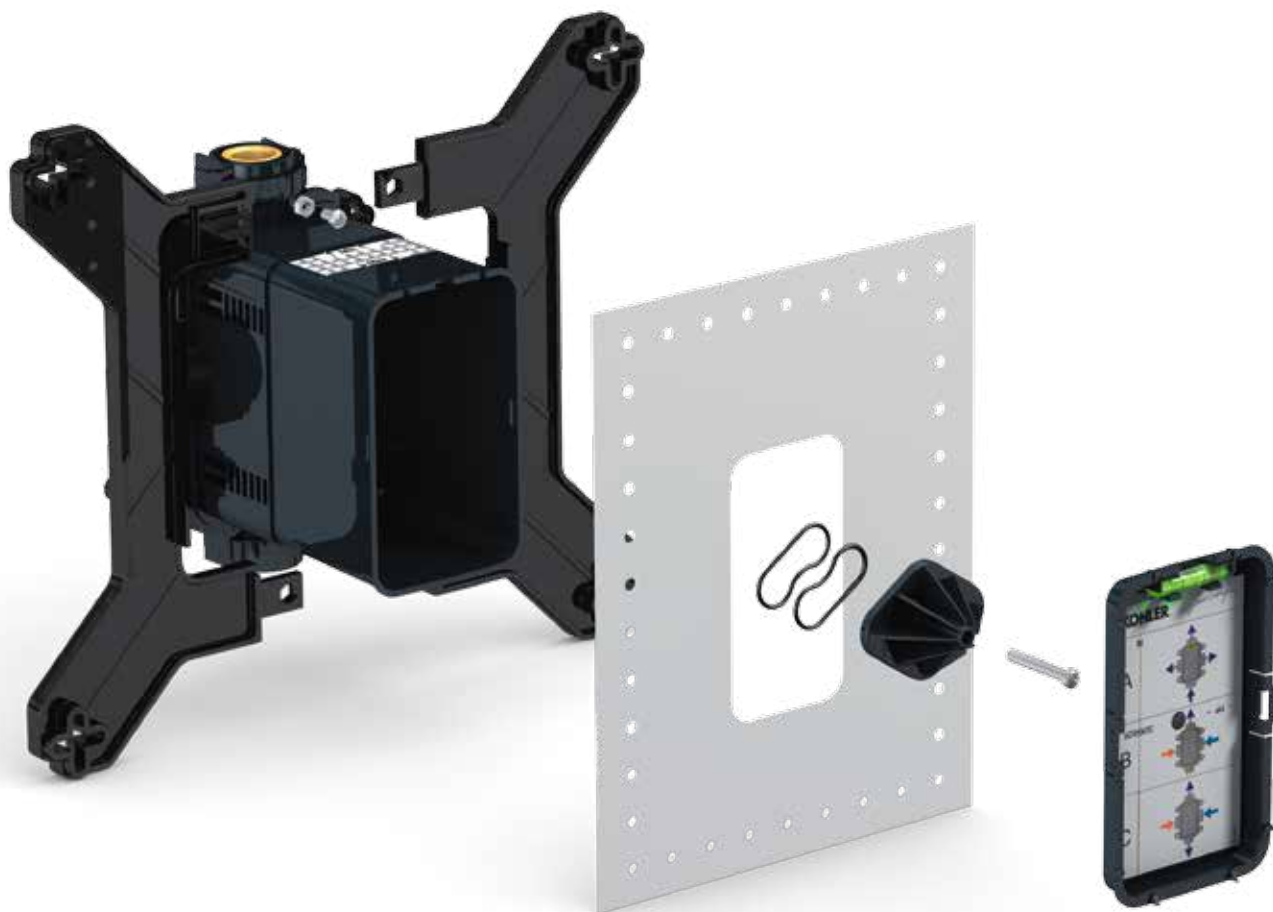
An extension trim kit fills extra space behind the trim to ensure the valve is covered and sealed when the box is installed in a shallow space (67-80 mm).



Connection

To accommodate more showering elements, two Modulo boxes can be installed. The boxes easily align and connect with a special attachment.

Technical Information



Specifications

Recommended water pressure

1 to 6 bars

Ideal water pressure

3 bars

Recommended hot water temperature

55-65°C

Ideal hot water temperature

60°C

Connection size

G1/2

Flow rate at 3 bars:

Single-control one outlet

40 lpm

Single-control two outlets

29 and 25 lpm

Thermostatic mixer valve with stop

29 lpm

Temperature limited to 50°C

Thermostatic mixer valve with 2-way diverter

26 and 25 lpm

Temperature limited to 50°C

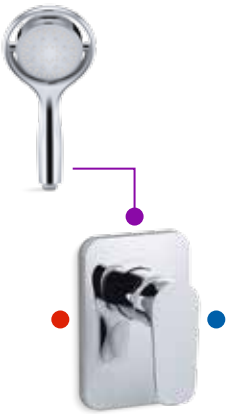
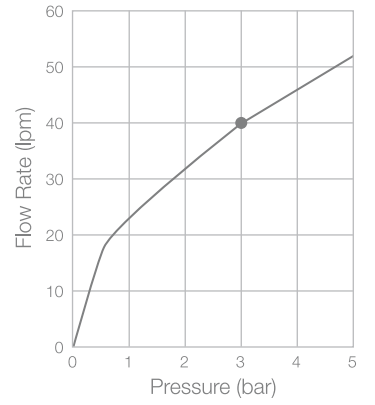


SINGLE-CONTROL VALVE

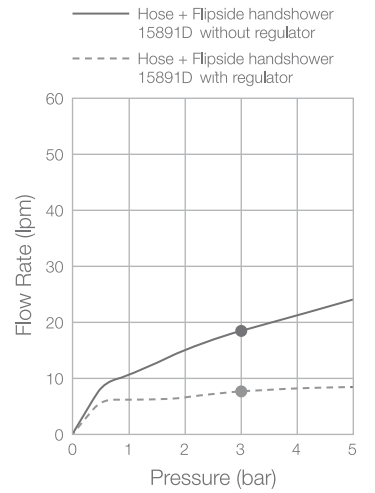
ONE OUTLET



	0.5 bar	1 bar	2 bars	3 bars	5 bars
Hot	13.8 lpm	20.1 lpm	28.5 lpm	35.2 lpm	45.1 lpm
Mixed	16.4 lpm	23.4 lpm	32.1 lpm	40.4 lpm	52.2 lpm
Cold	14.8 lpm	20.9 lpm	29.7 lpm	36.7 lpm	47 lpm



	0.5 bar	1 bar	2 bars	3 bars	5 bars
Flipside handshower 15891D without regulator	8.2 lpm	10.6 lpm	15.2 lpm	18.8 lpm	24.5 lpm
Flipside handshower 15891D with regulator	5.5 lpm	6 lpm	6.4 lpm	7.6 lpm	8.3 lpm

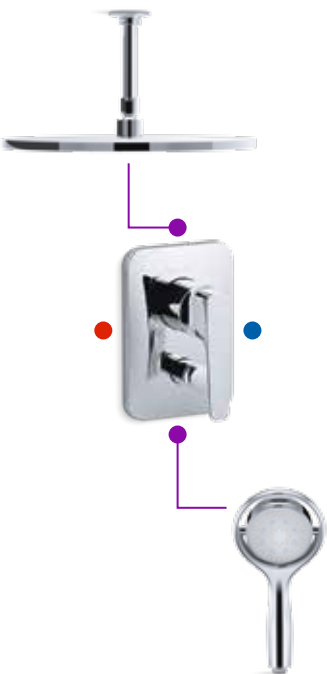
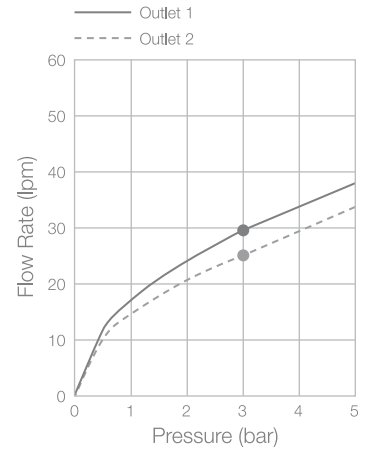


SINGLE-CONTROL VALVE WITH DIVERTER TWO OUTLETS

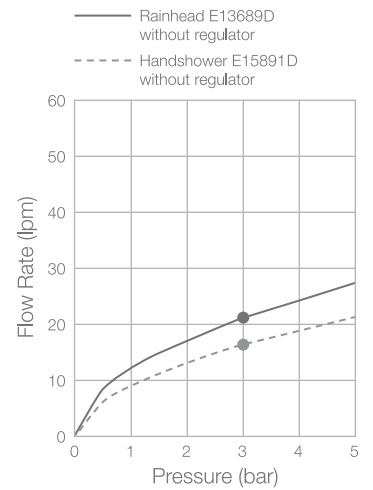


OUTLET 1	0.5 bar	1 bars	2 bars	3 bars	5 bars
Hot	10.9 lpm	15.8 lpm	22.1 lpm	27.2 lpm	35.3 lpm
Mixed	11.7 lpm	17.1 lpm	24 lpm	29.5 lpm	37.9 lpm
Cold	11.5 lpm	16.1 lpm	22.7 lpm	27.9 lpm	35.8 lpm

OUTLET 2	0,5 bar	1 bars	2 bars	3 bars	5 bars
Hot	9.4 lpm	13.9 lpm	19.8 lpm	24.5 lpm	32 lpm
Mixed	10.2 lpm	14.6 lpm	20.6 lpm	25.1 lpm	33.7 lpm
Cold	10 lpm	14.3 lpm	19.9 lpm	24.9 lpm	32.3 lpm

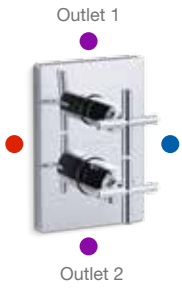


	0,5 bar	1 bar	2 bars	3 bars	5 bars
Rainhead 13689D without regulator	8.6	12.4	17.4	21.5	27.7
Handshower 15891D without regulator	6.3	9.2	13.3	16.5	21.4



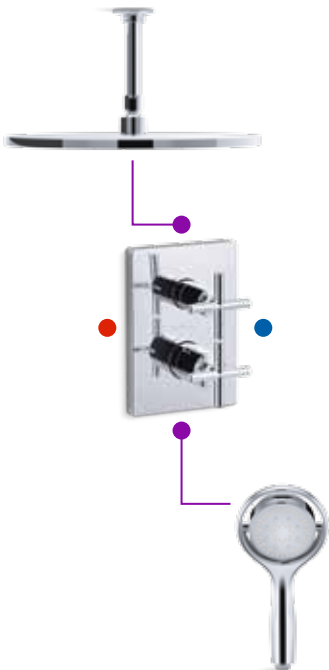
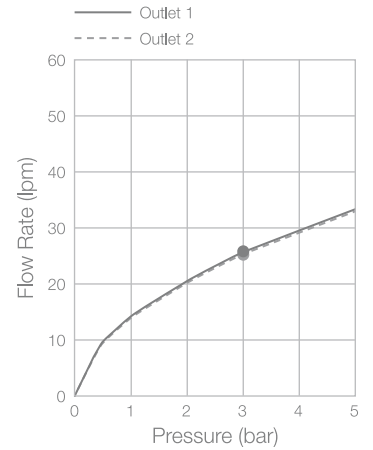
THERMOSTATIC MIXER VALVE WITH DIVERTER

TWO OUTLETS

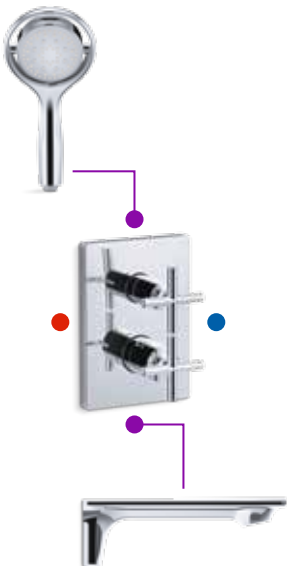
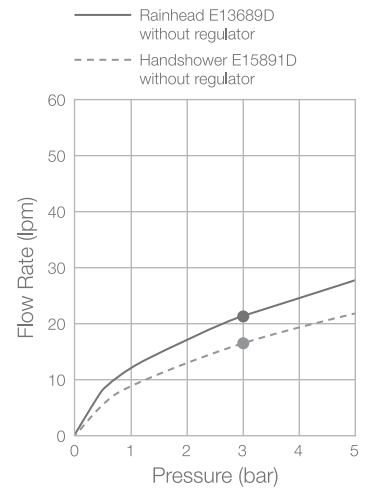


OUTLET 1	0.5 bar	1 bar	2 bars	3 bars	5 bars
Hot	9.3 lpm	14 lpm	20.9 lpm	26 lpm	34.1 lpm
Mixed	9.6 lpm	14.4 lpm	21 lpm	26.2 lpm	33.9 lpm
Cold	8.6 lpm	12.8 lpm	18.2 lpm	22.4 lpm	29.1 lpm

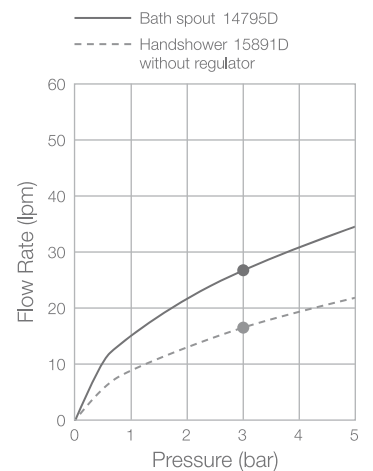
OUTLET 2	0.5 bar	1 bar	2 bars	3 bars	5 bars
Hot	9.4 lpm	14 lpm	20.9 lpm	25.5 lpm	33.4 lpm
Mixed	9.3 lpm	14 lpm	20.4 lpm	25.5 lpm	33.3 lpm
Cold	8.7 lpm	12.8 lpm	17.9 lpm	20 lpm	28.6 lpm



	0.5 bar	1 bar	2 bars	3 bars	5 bars
Rainhead 13689D without regulator	8 lpm	11.9 lpm	17.2 lpm	21.4 lpm	27.8 lpm
Handshower 15891D without regulator	5.6 lpm	8.7 lpm	13 lpm	16.5 lpm	21.7 lpm



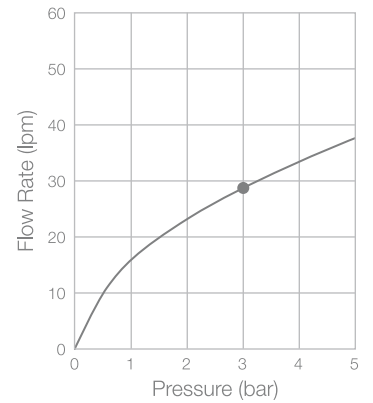
	0.5 bar	1 bar	2 bars	3 bars	5 bars
Bath spout 14795D	10.1 lpm	14.8 lpm	21.3 lpm	26.4 lpm	34.3 lpm
Handshower 15891D without regulator	5.6 lpm	8.7 lpm	13 lpm	16.5 lpm	21.7 lpm



THERMOSTATIC MIXER VALVE WITH STOP ONE OUTLET



	0.5 bar	1 bar	2 bars	3 bars	5 bars
Hot	10.5 lpm	15.9 lpm	23.3 lpm	28.9 lpm	37.9 lpm
Mixed	9.9 lpm	15.9 lpm	23.3 lpm	28.8 lpm	37.9 lpm
Cold	9.3 lpm	13.8 lpm	19.8 lpm	24.5 lpm	31.9 lpm

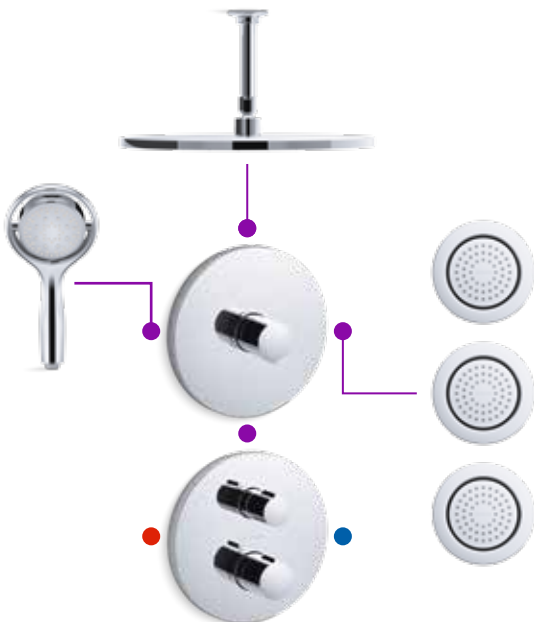
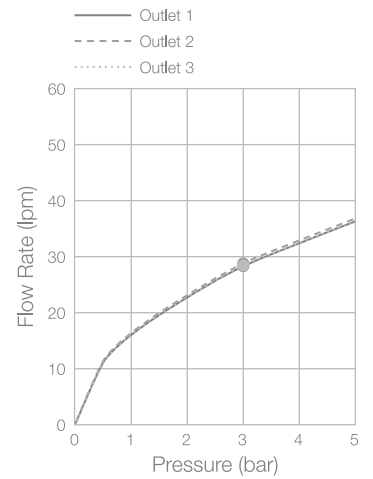


THERMOSTATIC MIXER VALVE PLUS THREE-WAY DIVERTER VALVE

THREE OUTLETS

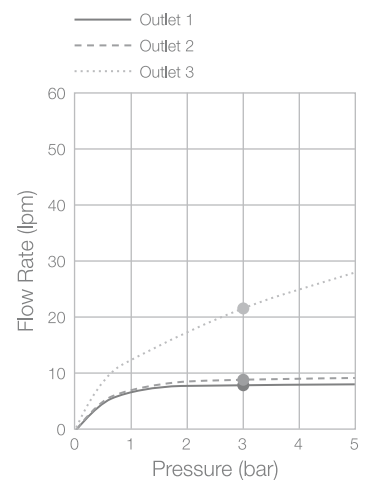


	0.5 bar	1 bar	2 bars	3 bars	5 bars
Outlet 1	11.2 lpm	16 lpm	22.5 lpm	27.7 lpm	35.9 lpm
Outlet 1+2	11.2 lpm	16.1 lpm	22.9 lpm	28.4 lpm	36.6 lpm
Outlet 2	11.3 lpm	16.1 lpm	22.9 lpm	28.4 lpm	36.6 lpm
Outlet 2+3	11.2 lpm	16.3 lpm	23.1 lpm	28.5 lpm	36.7 lpm
Outlet 3	11.2 lpm	16 lpm	22.5 lpm	27.8 lpm	35.9 lpm
Outlet 3+1	11.1 lpm	16.1 lpm	22.8 lpm	28.4 lpm	36.5 lpm



	2 bars	3 bars	5 bars
Outlet 1	7.9 lpm	7.9 lpm	8.3 lpm
Outlet 1+2	14.5 lpm	15.2 lpm	17.5 lpm
Outlet 2	8.7 lpm	8.9 lpm	9.2 lpm
Outlet 2+3	19.2 lpm	23.7 lpm	30.2 lpm
Outlet 3	17.2 lpm	21.5 lpm	27.9 lpm
Outlet 3+1	19.3 lpm	23.6 lpm	30.2 lpm

Minimum pressure of 2 bars required for the use of body sprays



THE BOLD LOOK
OF **KOHLER**®

Kohler Middle East

DIC, Al Thuraya Tower 2
9th floor, suite 905
P.O. Box 500431
Dubai – U.A.E.

Tel. U.A.E.: +971 4 3642650
Fax U.A.E.: +971 4 3697508
Customer Service Tel.: +49 2368 9187-0
Customer Service Fax: +49 2368 9187-74

www.me.kohler.com