


**Collection:** EVOK

**Finish\*:**


00 - White

**Main features:**


## Features

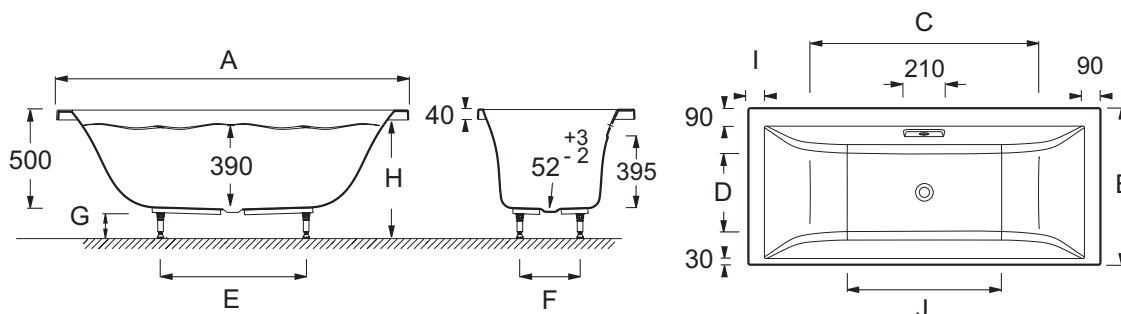
- Dimensions: 170 x 70
- Material: Acrylic
- Volume: 267/197
- Double-ended bath and central waste: ideal for two-persons bathing
- An exceptionally-deep bath for maximum relaxation
- Easy-to-install. adjustable feet thanks to Quick Clip system
- Weight: 23 kg
- Installation: Built-in
- Shape: Rectangular
- Rectangular bath with modern design and generous shape
- Long side tap deck

## Optional products

- E6965: Neck support

## Technical drawing

Mm	60342K	18923D	18926D	60341K	18929D	60340K
A	1997 <sup>+5</sup>	1900 <sup>+5</sup>	1800 <sup>+5</sup>	1697 <sup>+5</sup>	1700 <sup>+5</sup>	1697 <sup>+5</sup>
B	1000 <sup>+5</sup>	900 <sup>+5</sup>	800 <sup>+5</sup>	800 <sup>+5</sup>	750 <sup>+5</sup>	700 <sup>+5</sup>
C	1350	1240	1140	1040	1040	1040
D	695	595	495	495	395	395
E	900	900	740	580	580	580
F	450	350	250	250	250	180
G mini/maxi	115/179	130/185	134/185	120/184	133/193	120/184
H mini/maxi	604/668	600/660	596/647	600/663	595/655	602/666
I	80	90	75	80	80	80
J	1040	840	740	740	740	740



Product Specification: Bath 170 cm. 60340K. Collection: EVOK. Dimensions: 170 x 70. Weight: 23 kg. Material: Acrylic. Installation: Built-in. Volume: 267/197. Shape: Rectangular. Double-ended bath and central waste: ideal for two-persons bathing. Rectangular bath with modern design and generous shape. An exceptionally-deep bath for maximum relaxation. Long side tap deck. Easy-to-install. adjustable feet thanks to Quick Clip system.