

Clicker waste and chrome plated overflow

### 99314T



Collection: VOLUTE

Finish\*:



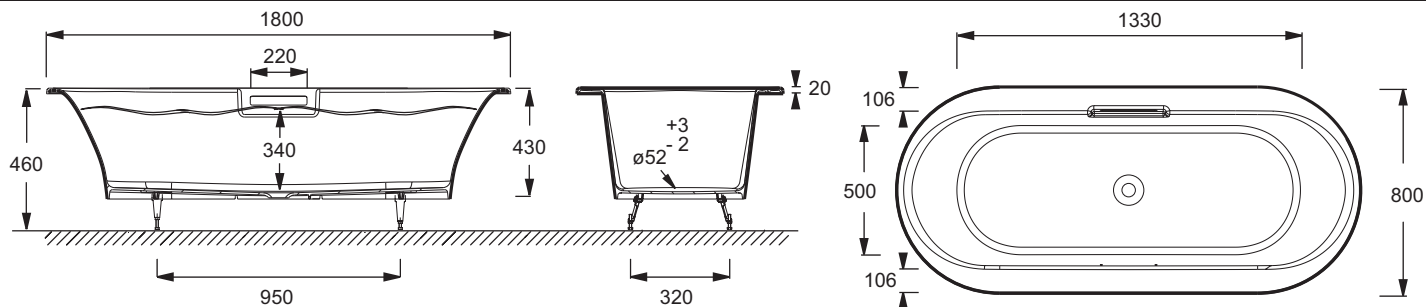
CP - Polished Chrome

### Features

• Weight: 2.5 kg

• Material: Acrylic

### Technical drawing



Product Specification: Clicker waste and chrome plated overflow. 99314T. Collection: VOLUTE. Weight: 2.5 kg. Material: Acrylic.