



Collection: REPLAY

Finish*:

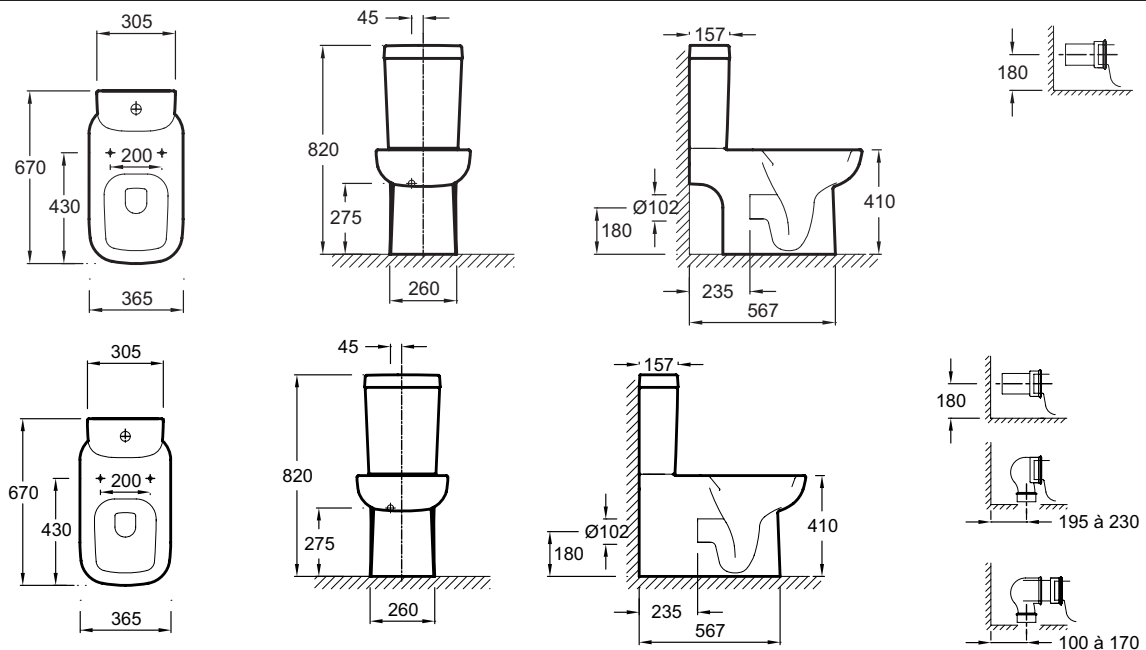


00 - White

Features

- Weight: 11.6 kg
- Soft, classic lines
- Class 1 quiet float valve
- Rapid fix system
- Material: Ceramic
- Fitted with water-saving 2.6/4 L flush mechanism
- Bottom inlet

Technical drawing



Product Specification: Cistern , water saving button 2.6/4 l. 4846K. Collection: REPLAY. Weight: 11.6 kg. Material: Ceramic. Soft, classic lines. Fitted with water-saving 2.6/4 L flush mechanism. Class 1 quiet float valve. Bottom inlet. Rapid fix system.