



Collection: REPLAY

Finish*:

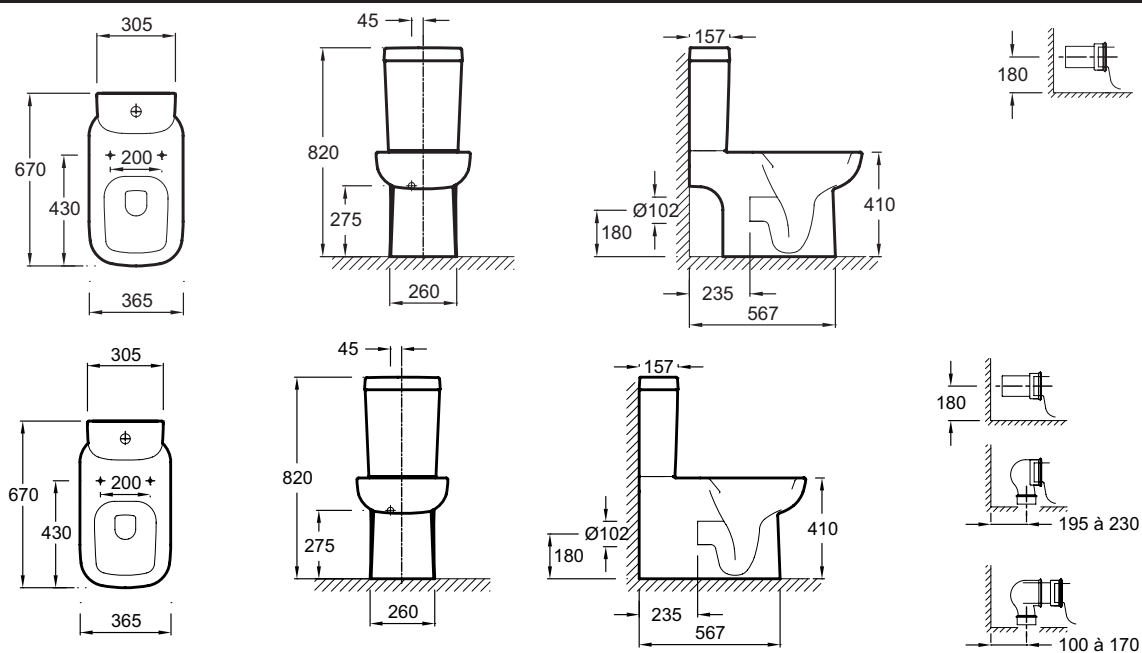


00 - White

Features

- Weight: 11.6 kg

Technical drawing



Product Specification: Cistern , water saving button 3/6 l. 1992K. Collection: REPLAY. Weight: 11.6 kg.