



Collection: DTV PROMPT

Finish*:



NA - Neutral

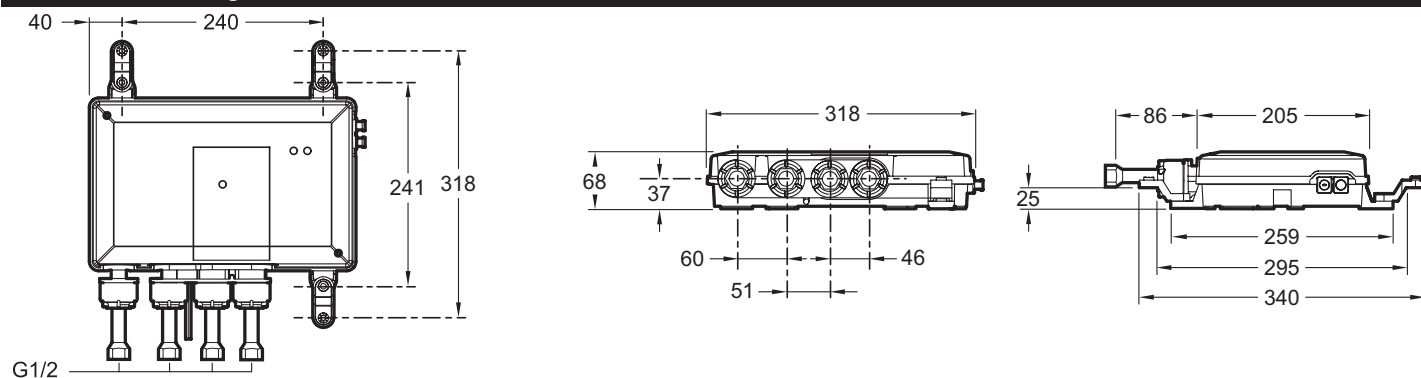
Features

- Weight: 2.7 kg
- : 30 l/min per outlet. 50 l/min together
- 2 outlets
- Connected to the power supply
- Installation: Built-in
- Flow rate: 30 l/min per outlet. 50 l/min together
- Horizontal or vertical built-in installation

Required products

- 527D: Digital Interface

Technical drawing



Product Specification: Digital thermostatic valve. 528D-K. Collection: DTV PROMPT. Weight: 2.7 kg. Installation: Built-in. : 30 l/min per outlet. 50 l/min together. Flow rate: 30 l/min per outlet. 50 l/min together. 2 outlets. Horizontal or vertical built-in installation. Connected to the power supply.