



Collection: REACH

Finish*:



00 - White

Features

- Dimensions: 80 x 50
- Material: Ceramic
- Faucet drilling: 1 faucet hole
- Smooth ledge for perfect upkeep

- Weight: 28 kg
- Installation: Self-supporting or can be mounted on a specific cabinet
- Functional design with flat and wide ledges
- Chromed overflow cap

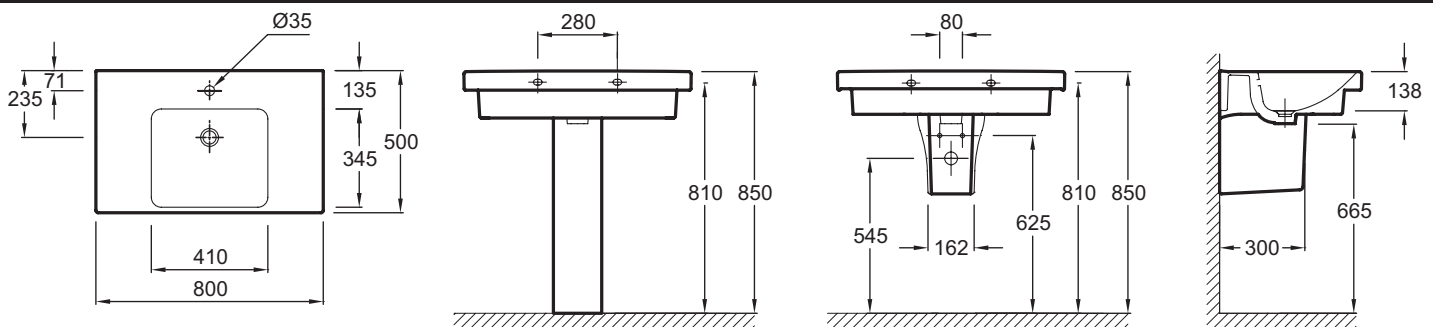
Required products

- 4016W: Base unit 77 cm
- 4084K: Base unit, 77 cm
- 99383K: Base unit 77 cm

Optional products

- 18565W: Pedestal
- 18566W: Semi-pedestal
- E4724: Legs for vanity top
- E78291: Design bottle trap 1 1/4" - long version
- E78297: Design bottle trap 1 1/4" - short version
- E4797: Towel rail for vanity top 80 cm

Technical drawing



Product Specification: 1-hole vanity top 80 cm. 4796K. Collection: REACH. Dimensions: 80 x 50. Weight: 28 kg. Material: Ceramic. Installation: Self-supporting or can be mounted on a specific cabinet. Faucet drilling: 1 faucet hole. Functional design with flat and wide ledges. Smooth ledge for perfect upkeep. Chromed overflow cap.