



Collection: STRUKTURA

Finish\*:

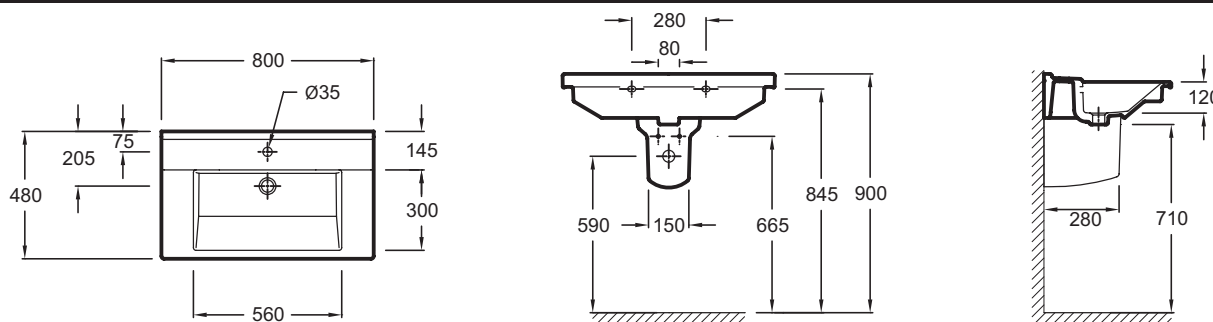


00 - White

## Features

- Dimensions: 80 x 48
- Material: Ceramic
- Faucet drilling: 1 faucet hole
- Generous, functional ledge
- Weight: 23.6 kg
- Installation: Self-supporting or can be mounted on a specific cabinet
- Straight lines

## Technical drawing



Product Specification: 1-hole vanity top 80 cm. XH112K. Collection: STRUKTURA. Dimensions: 80 x 48. Weight: 23.6 kg. Material: Ceramic. Installation: Self-supporting or can be mounted on a specific cabinet. Faucet drilling: 1 faucet hole. Straight lines. Generous, functional ledge.