

1-hole vanity top 80 x 49 cm XD112K



Collection: TERRACE

Finish*:



00 - White

Main features:



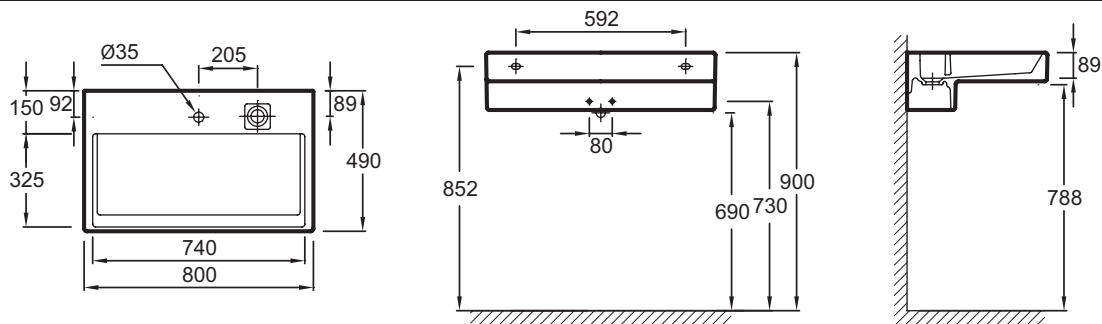
Features

- **Dimensions:** 80 x 49
- **Material:** Ceramic
- **Faucet drilling:** 1 faucet hole
- Innovative concealed drain system patented by Kohler
- **Weight:** 25.3 kg
- **Installation:** Self-supporting or can be mounted on a specific cabinet
- Geometrically-inspired L-shaped vanity top provides a functional design element
- Vanity Top 100 X 49 cm with LED strip lighting (230 V / 12 V) XD9112K

Optional products

- E78291: Design bottle trap 1 1/4" - long version
- EB1181: Mirror 80 cm
- EB1186: Base unit 80 cm
- E4916: Tray for vanity top
- E4906: Towel rail, left
- E4905: Towel rail, right

Technical drawing



Product Specification: 1-hole vanity top 80 x 49 cm. XD112K. Collection: TERRACE. Dimensions: 80 x 49. Weight: 25.3 kg. Material: Ceramic. Installation: Self-supporting or can be mounted on a specific cabinet. Faucet drilling: 1 faucet hole. Geometrically-inspired L-shaped vanity top provides a functional design element. Innovative concealed drain system patented by Kohler. Vanity Top 100 X 49 cm with LED strip lighting (230 V / 12 V) XD9112K.