



Collection: RÊVE

Finish*:



NF - Neutral

Main features:



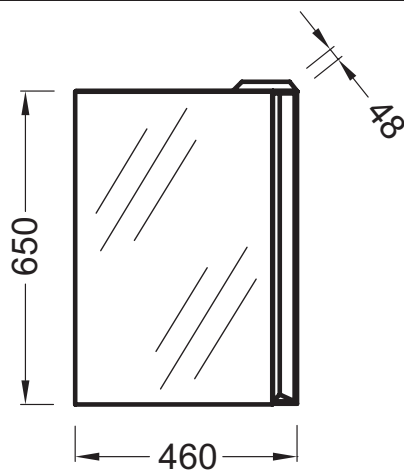
Features

- Dimensions: 46 x 5 x 65 cm
- Installation: Wall-mount
- Infrared sensor switch located below the mirror
- Note: the infrared sensor switch requires a gap of at least 15 cm between itself and the tile or other object
- Weight: 8.5 kg
- Power : 230 V, 2 x 24 W, T4 fitting, class II, IP44, energy efficiency class A
- Fluorescent backlighting: 230 V, 2 x 24 W, T4 fitting, class II, IP44, energy efficiency class A

Optional products

- Rêve handwash basin unit

Technical drawing



Product Specification: Mirror 46 cm. EB581. Collection: RÊVE. Dimensions: 46 x 5 x 65 cm. Weight: 8.5 kg. Installation: Wall-mount. Power : 230 V, 2 x 24 W, T4 fitting, class II, IP44, energy efficiency class A. Infrared sensor switch located below the mirror. Fluorescent backlighting: 230 V, 2 x 24 W, T4 fitting, class II, IP44, energy efficiency class A. Note: the infrared sensor switch requires a gap of at least 15 cm between itself and the tile or other object.