



**Collection:** PURISTIC

**Finish\*:**



CP - Polished Chrome

**Main features:**



### Consumer benefits

- Equipped with an evacuation system to avoid condensation inside Modulo box
- PURISTIC ergonomic handle for easy grip

### Installation benefits

- Pre-assembled fixing screws on cartridge box to make installation easier
- Easy-to-install cartridge, thanks to guide notches
- Easy access to built-in body for convenient maintenance (cartridge, etc.)

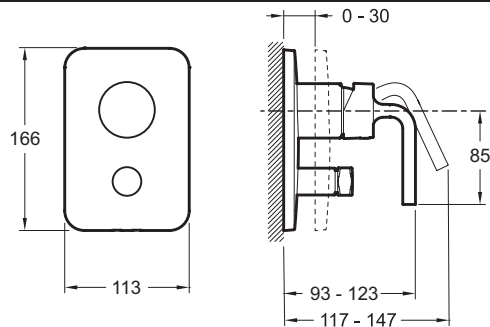
### Features

- Incl. single-lever built-in mixer
- Incl. non-return valve
- DVGW NW-6512CP0428
- Automatic diverter with locking option
- Ceramic disk cartridge

### Required products

- 98699D: Universal concealed box

### Technical drawing



Product Specification: Trim and lever for built-in bath/shower mixer. E98721. Collection: PURISTIC. Incl. single-lever built-in mixer. Automatic diverter with locking option. Incl. non-return valve. Ceramic disk cartridge. DVGW NW-6512CP0428.