



Collection: PURISTIC

Finish*:



CP - Polished Chrome

Main features:



Consumer benefits

- Equipped with an evacuation system to avoid condensation inside Modulo box
- PURISTIC ergonomic handle for easy grip

Installation benefits

- Pre-assembled fixing screws on cartridge box to make installation easier
- Easy-to-install cartridge, thanks to guide notches
- Easy access to built-in body for convenient maintenance (cartridge, etc.)

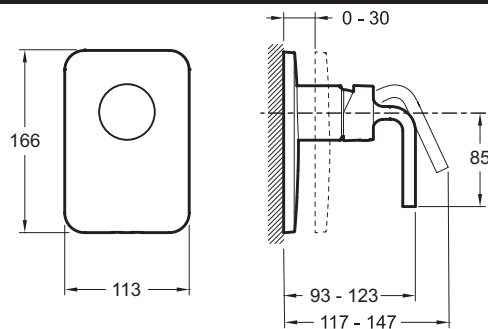
Features

- Incl. single-lever built-in mixer
- Ceramic disk cartridge
- Incl. non-return valve
- DVGW NW-6512CP0427

Required products

- 98699D: Universal concealed box

Technical drawing



Product Specification: Trim and lever for built-in shower mixer. E98709. Collection: PURISTIC. Incl. single-lever built-in mixer. Incl. non-return valve. Ceramic disk cartridge. DVGW NW-6512CP0427.