

Trim and lever for built-in bath/shower mixer 98717D



Collection: ALEO

Finish*:



CP - Polished Chrome

Main features:



Consumer benefits

- Equipped with an evacuation system to avoid condensation inside Modulo box
- Automatic diverter with locking option
- ALEO ergonomic handle for easy grip

Installation benefits

- Pre-assembled fixing screws on cartridge box to make installation easier
- Easy-to-install cartridge, thanks to guide notches
- Easy access to built-in body for convenient maintenance (cartridge, etc.)

Features

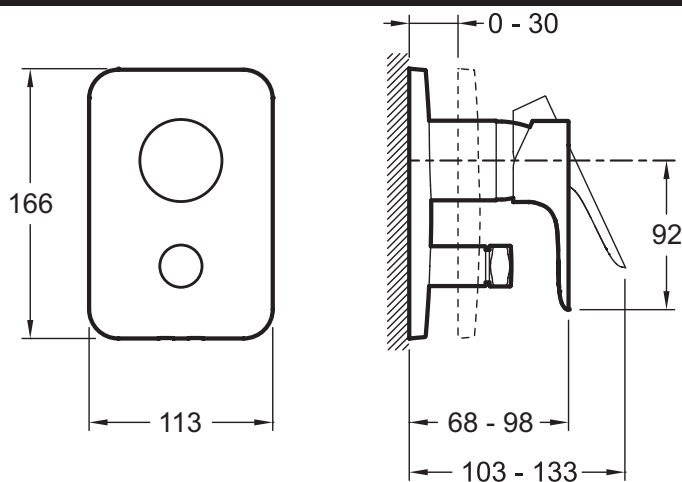
- Installation: Wall-mount
- Kit composed of built-in body, trim, handle and diverter

- Mount with Modulo universal box 98699D-NF

Required products

- 98699D: Universal concealed box

Technical drawing



Product Specification: Trim and lever for built-in bath/shower mixer. 98717D. Collection: ALEO. Installation: Wall-mount. Mount with Modulo universal box 98699D-NF. Kit composed of built-in body, trim, handle and diverter.