

Trim and lever for built-in shower mixer 98705D



Collection: ALEO

Finish*:



CP - Polished
Chrome

Main features:



Consumer benefits

- Equipped with an evacuation system to avoid condensation inside Modulo box
- ALEO ergonomic handle for easy grip

Installation benefits

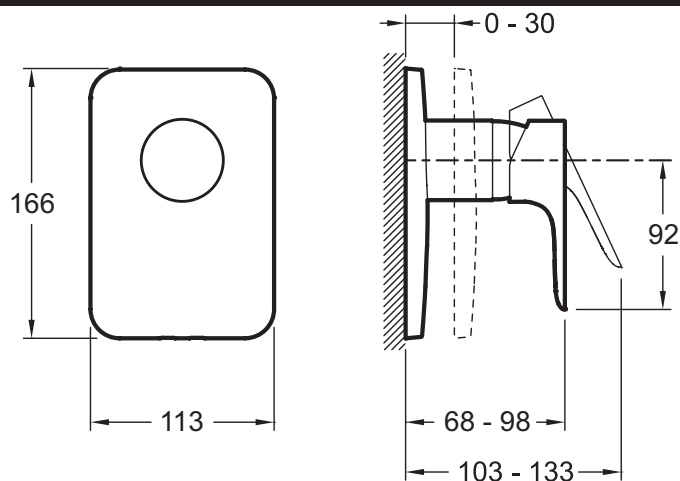
- Pre-assembled fixing screws on cartridge box to make installation easier
- Easy-to-install cartridge, thanks to guide notches
- Easy access to built-in body for convenient maintenance (cartridge, etc.)

Features

- Weight: 2.0 kg
- Normes: Standards: ACS (Certificate of Sanitary Compliance):10 ACC LY 004
- Kit composed of : built-in body, trim, handle and diverter
- Connect to one outlet (e.g.. showerhead, handshower)

- Installation: Wall-mount
- Mount with Modulo universal box 98699D-NF
- Quick trim assembly
- 5-year guarantee

Technical drawing



Product Specification: Trim and lever for built-in shower mixer. 98705D. Collection: ALEO. Weight: 2.0 kg. Installation: Wall-mount. Normes: Standards: ACS (Certificate of Sanitary Compliance):10 ACC LY 004. Mount with Modulo universal box 98699D-NF. Kit composed of : built-in body, trim, handle and diverter. Quick trim assembly. Connect to one outlet (e.g.. showerhead, handshower). 5-year guarantee.