

Mirrored cabinet 60 cm, left hinges 98436LD

Collection: NO COLLECTION

Finish*:



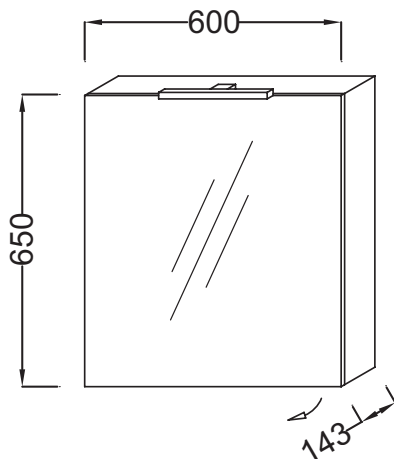
Main features:



Features

- Dimensions: 60 x 14 x 65 cm
- Material: Solid color decor or wood decor
- Power : 230 V, 4 x 1 W, class II, IP24, energy efficiency class A++
- 2 glass shelves
- Socket
- LED lighting: 230 V, 4 x 1 W, class II, IP24, energy efficiency class A++
- Weight: 16 kg
- Installation: Wall-mount
- 1 reversible slow-close mirror door
- 1 magnet bar
- Infrared sensor switch located below the mirrored cabinet
- Note: the infrared sensor switch requires a gap of at least 15 cm between itself and the tile or other object

Technical drawing



Product Specification: Mirrored cabinet 60 cm, left hinges. 98436LD. Collection: NO COLLECTION. Dimensions: 60 x 14 x 65 cm. Weight: 16 kg. Material: Solid color decor or wood decor. Installation: Wall-mount. Power : 230 V, 4 x 1 W, class II, IP24, energy efficiency class A++. 1 reversible slow-close mirror door. 2 glass shelves. 1 magnet bar. Socket. Infrared sensor switch located below the mirrored cabinet. LED lighting: 230 V, 4 x 1 W, class II, IP24, energy efficiency class A++. Note: the infrared sensor switch requires a gap of at least 15 cm between itself and the tile or other object.