

## Single-lever washbasin mixer 72277D



**Collection:** ALEO

**Finish\*:**



CP - Polished  
Chrome

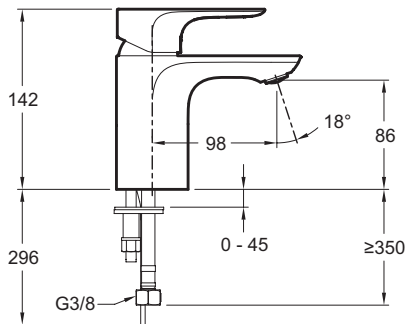
**Main features:**



### Features

- **Weight:** 1.6 kg
- **Normes:** ACS (Certificate of Sanitary Compliance): 10 ACC LY 113
- **Faucet drilling:** 1 faucet hole
- **Height under spout:** 142 mm
- **Mechanism:** Ceramic disc cartridge
- **Technological innovation:** Water flows inside tap body without coming into contact with chrome or nickel: hygiene; safety; savings
- **Anti-twist hoses:** Easier tap mounting, no problems with tangled hoses
- **Height under aerator:** 86 mm
- **Installation:** 1 hole
- **Flow rate:** 5 l/mn
- **Flow rate:** 5 l/mn
- **Connection:** With supply hoses
- **Flow restricted to 5L/min** for water efficiency and comfort of use – less risk of splashing
- **Discreetly-positioned, anti-scale aerator:** Easy replacement with no special tool (you can use a coin) and easier cleaning
- **No waste**
- **5-year guarantee**

### Technical drawing



Product Specification: Single-lever washbasin mixer, 72277D. Collection: ALEO. Weight: 1.6 kg. Installation: 1 hole. Normes: ACS (Certificate of Sanitary Compliance): 10 ACC LY 113. Flow rate: 5 l/mn. Faucet drilling: 1 faucet hole. Flow rate: 5 l/mn. Height under spout: 142 mm. Connection: With supply hoses. Mechanism: Ceramic disc cartridge. Flow restricted to 5L/min for water efficiency and comfort of use – less risk of splashing. Technological innovation: Water flows inside tap body without coming into contact with chrome or nickel: hygiene; safety; savings. Discreetly-positioned, anti-scale aerator: Easy replacement with no special tool (you can use a coin) and easier cleaning. Anti-twist hoses: Easier tap mounting, no problems with tangled hoses. No waste. Height under aerator: 86 mm. 5-year guarantee.