

Whirlpool bath, Excellence system, left handed, 200 x 100 cm

5BD236L



Collection: EVOK

Finish*:



00 - White

Consumer benefits

• **SILENCE:** All our systems are equipped with the Silence gentle-massage program that was specially designed to be quiet. The water caresses the body in a relaxing, light-filled environment.

• **DESIGN AND PERFORMANCE:** Waterfall headrest: a comfortable position coupled with the pleasant waterfall sensation provide a unique relaxation experience ; Water massage: back, side and foot jets fit flush for a discreet, clean look ; air massage: invisible air injectors at the bottom of the bath, performance-driven patented technology, easy care, comfort and unmatched esthetics ; Chromotherapy: a high-luminosity LED spotlight colors your bath water; hues were carefully selected for their relaxing or invigorating effect ; Backlit keypad: select your program and enjoy your massage.

Features

- Dimensions: 200 x 100
- Installation: Built-in
- Messages type: 4 Massage programs (Silence, Tonic, Wave and Relax): water massage, turbo massage, air massage, draining massage
- Injectors: Body massage: 18 air injectors
- Safety system: Safety feature (no water)
- 1 LED spotlight
- Cleaning cycle
- Pump 900 W
- Air blower with water heater and ozone 1000 W

- Material: Acrylic
- Volume: 413
- Jets: Back massage: 4 mini-jets ; Foot massage: 2 rotating jets ; Body massage: 6 rotating jets, 4 mini jets
- Chromotherapy: Yes
- 5-button keypad
- Automatic ozone drying and sanitizing cycle
- Noise/vibration reduction Soundproofing kit & Silence box
- Turbo blower with water heater 1000 W
- Self-supporting frame

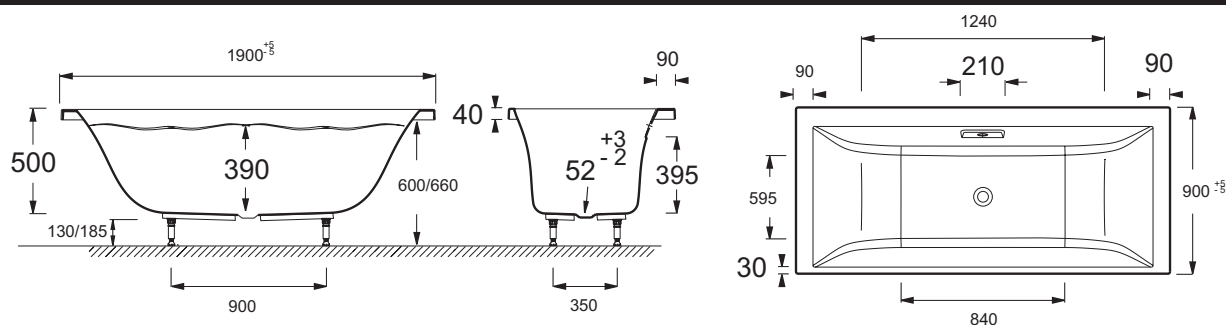
Required products

- E6D015: Doble pop-up drain and overflow
- 70174K: Standard waste

Optional products

- E6757: Small neck support oval
- E6965: Neck support

Technical drawing



Product Specification: Whirlpool bath, Excellence system, left handed, 200 x 100 cm. 5BD236L. Collection: EVOK. Dimensions: 200 x 100. Material: Acrylic. Installation: Built-in. Volume: 413. Messages type: 4 Massage programs (Silence, Tonic, Wave and Relax): water massage, turbo massage, air massage, draining massage. Jets: Back massage: 4 mini-jets ; Foot massage: 2 rotating jets ; Body massage: 6 rotating jets, 4 mini jets. Injectors: Body massage: 18 air injectors. Chromotherapy: Yes. Safety system: Safety feature (no water). 5-button keypad. 1 LED spotlight. Automatic ozone drying and sanitizing cycle. Cleaning cycle. Noise/vibration reduction Soundproofing kit & Silence box. Pump 900 W. Turbo blower with water heater 1000 W. Air blower with water heater and ozone 1000 W. Self-supporting frame.