

Whirlpool bath, Plus system, left handed, 180 x 80 cm 5BB214L



Collection: EVOK

Finish*:



00 - White

Consumer benefits

• **SILENCE:** All our systems are equipped with the Silence gentle-massage program that was specially designed to be quiet

• **DESIGN AND PERFORMANCE:** Waterfall headrest ; Water massage (back, side and foot jets fit flush) ; Air massage (invisible air injectors at the bottom) ; Chromotherapy ; Backlit keypad

Features

- Dimensions: 200 x 100
- Installation: Built-in
- Massages type: 2 Massage programs (Silence and Tonic): water massages
- Safety system: Safety feature (no water)
- 1 LED spotlight
- Self-supporting frame

- Material: Acrylic
- Volume: 260
- Jets: Back massage: 4 mini-jets ; Foot massage: 2 rotating jets ; Body massage: 6 rotating jets
- 3-button keypad
- Pump 900 W

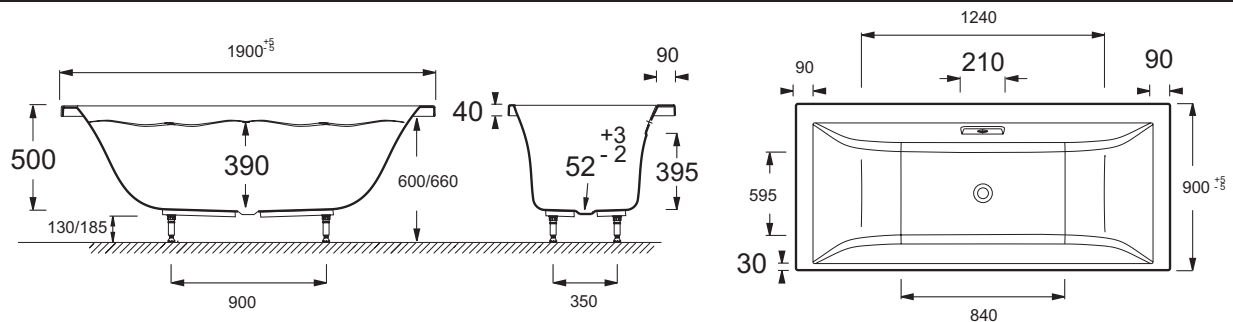
Required products

- E6D015: Doble pop-up drain and overflow
- 70174K: Standard waste

Optional products

- E6754: Silence box
- E6757: Small neck support oval
- E6965: Neck support
- 6D035: Soundproofing kit
- E6T21: Side panel
- E6T24: Side panel
- E6T38: Front panel 180 x 80 cm
- E6T36: Side panel 80 cm
- Waterfall headrest (Add option code "M" / e.g. E5BB236R-M-00)

Technical drawing



Product Specification: Whirlpool bath, Plus system, left handed, 180 x 80 cm. 5BB214L. Collection: EVOK. Dimensions: 200 x 100. Material: Acrylic. Installation: Built-in. Volume: 260. Massages type: 2 Massage programs (Silence and Tonic): water massages. Jets: Back massage: 4 mini-jets ; Foot massage: 2 rotating jets ; Body massage: 6 rotating jets. Safety system: Safety feature (no water). 3-button keypad. 1 LED spotlight. Pump 900 W. Self-supporting frame.