



Collection: FORMILIA

Finish*:



Main features:



Features

- Dimensions: 70 x 54.5
- Material: Ceramic
- Faucet drilling: 1 central faucet hole
- Generous functional ledge
- One left tap hole: 5169K
- Chromed overflow cap
- Weight: 23 kg
- Installation: Self-supporting or can be mounted on a specific cabinet
- Fluidity between curved and straight lines
- Contemporary aesthetics with 1 slightly rounded basin
- one right tap hole: 5168K

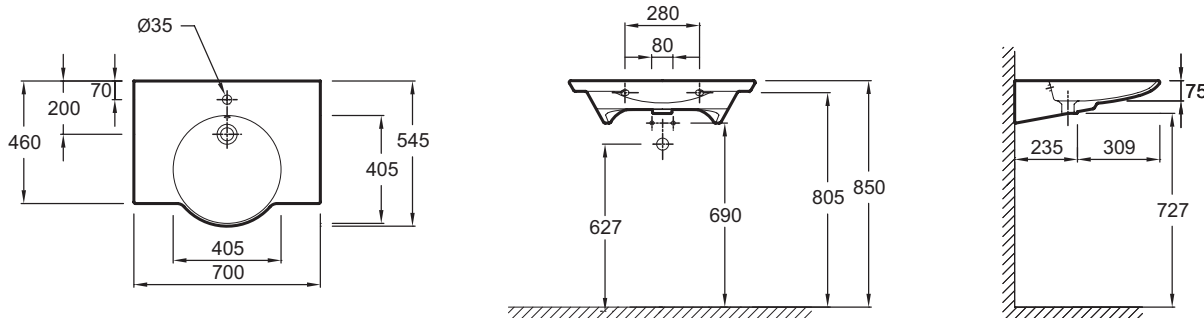
Required products

- E78296: Click pop-up drain
- E78297: Design bottle trap 1 1/4" - short version

Optional products

- 3927K-R: Half side unit, right hinges, 96 cm
- 3927K-L: Half side unit, left hinges, 96 cm
- 3926K-R: Half side unit, right hinges, 96 cm
- 3926K-L: Half side unit, left hinges, 96 cm
- EB1159: Mirror 70 cm, with lighting and digital clock
- 99379K: Tall column

Technical drawing



Product Specification: 1-hole vanity top 70 cm. 5167K. Collection: FORMILIA. Dimensions: 70 x 54.5. Weight: 23 kg. Material: Ceramic. Installation: Self-supporting or can be mounted on a specific cabinet. Faucet drilling: 1 central faucet hole. Fluidity between curved and straight lines. Generous functional ledge. Contemporary aesthetics with 1 slightly rounded basin. One left tap hole: 5169K. one right tap hole: 5168K. Chromed overflow cap.