



Collection: RÊVE

Finish*:

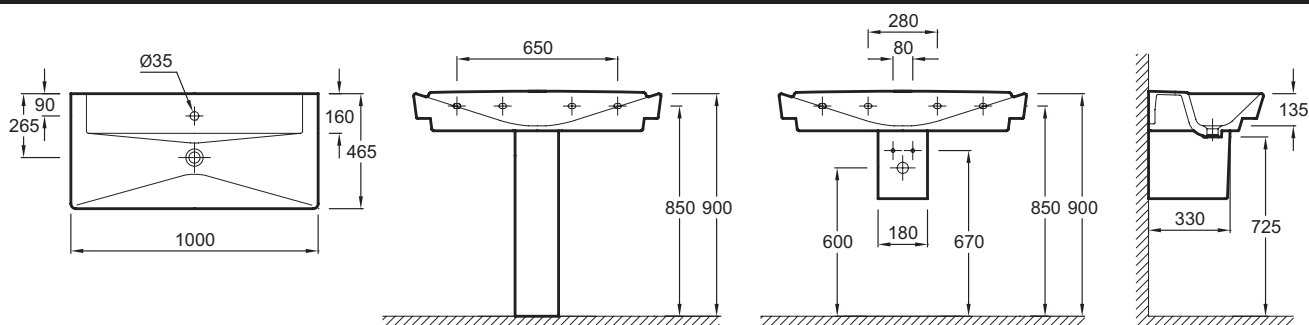


00 - White

Features

- Dimensions: 100 x 46.5
- Material: Ceramic
- Weight: 34.3 kg
- Installation: Self-supporting or can be mounted on a specific cabinet

Technical drawing



Product Specification: 1-hole vanity top 100 cm. 5086K. Collection: RÊVE. Dimensions: 100 x 46.5. Weight: 34.3 kg. Material: Ceramic. Installation: Self-supporting or can be mounted on a specific cabinet.