

Thermostatic shower column with round shower head 45716D



Collection: JULY

Finish*:



CP - Polished
Chrome

Main features:



Consumer benefits

- ANTI-SCALE SYSTEM : Smooth anti-twist metal-look hoses, 160 cm
- DISCRETION : Discreetly-positioned diverter
- SECURITY : Safety stop at 37°C
- MAXIMUM SECURITY : Blocking temperature max at 50°C

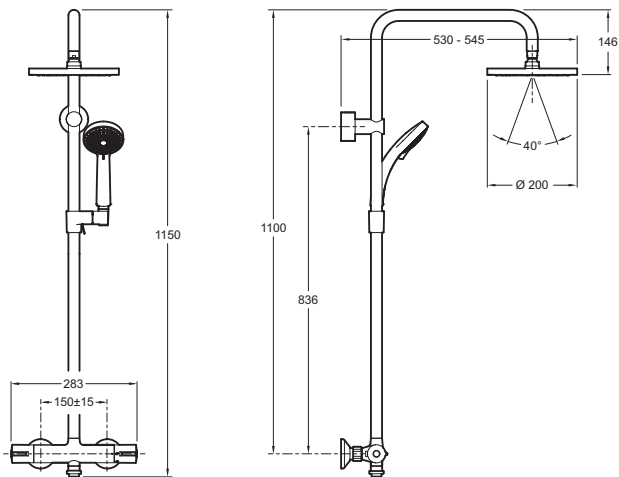
Installation benefits

- EASY INSTALLATION : mounting adjustable rod

Features

- Dimensions: Ø 20 cm
- Installation: Wall-mount
- FLOW RATE : showerhead 10 l/mn, handshower 9.5 l/mn
- Weight: 6 kg
- Citrus handshower Ø 9 cm - 4 spray options

Technical drawing



Product Specification: Thermostatic shower column with round shower head. 45716D. Collection: JULY. Dimensions: Ø 20 cm. Weight: 6 kg. Installation: Wall-mount. Citrus handshower Ø 9 cm - 4 spray options. FLOW RATE : showerhead 10 l/mn, handshower 9.5 l/mn.