



Collection: STRAYT

Finish*:



CP - Polished
Chrome

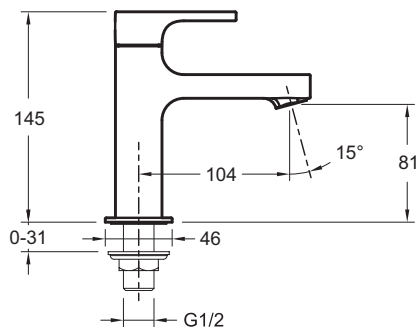
Main features:



Features

- Installation: 1 hole
- No drain
- Anti-scale aerator
- Flow rate: 5 l/mn
- Cold water only
- Ceramix disc valves

Technical drawing



Product Specification: Pillar tap for handwash basin. 37333D. Collection: STRAYT. Installation: 1 hole. Flow rate: 5 l/mn. No drain. Cold water only. Anti-scale aerator. Ceramix disc valves.