

### 1-hole vanity top 100 cm 19034W



Collection: ESCALE

Finish\*:



00 - White

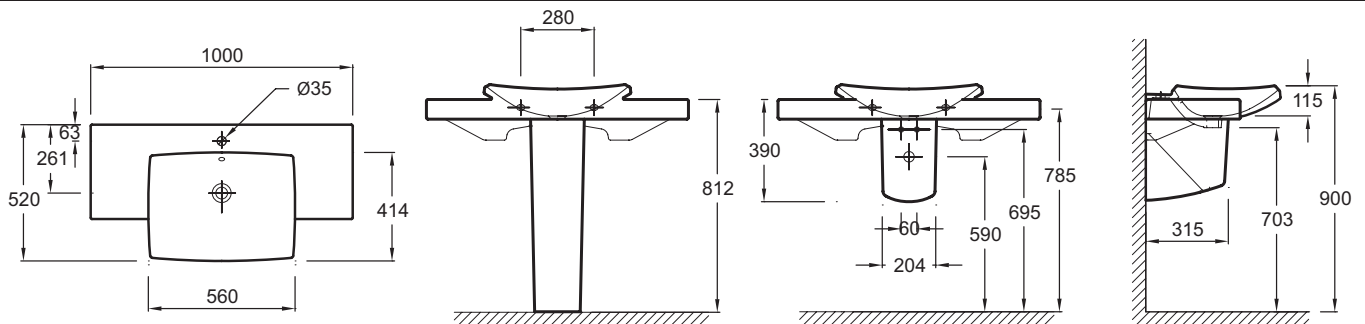
#### Features

- Dimensions: 100 x 52
- Material: Ceramic
- Faucet drilling: 1 faucet hole
- Vessel integrated into a vanity top is unique
- Wide ledges
- Weight: 33 kg
- Installation: Self-supporting or can be mounted on a specific cabinet
- Fixings: 2 bolts not included
- Balanced form with smooth contours
- Chromed overflow cap

#### Optional products

- 19024W: Pedestal
- 19028W: Semi-pedestal
- EB1442: Mirror 100 cm
- EB760: Base unit 98 cm

#### Technical drawing



Product Specification: 1-hole vanity top 100 cm. 19034W. Collection: ESCALE. Dimensions: 100 x 52. Weight: 33 kg. Material: Ceramic. Installation: Self-supporting or can be mounted on a specific cabinet. Faucet drilling: 1 faucet hole. Fixings: 2 bolts not included. Vessel integrated into a vanity top is unique. Balanced form with smooth contours. Wide ledges. Chromed overflow cap.