



Collection: ESCALE

Finish\*:



00 - White

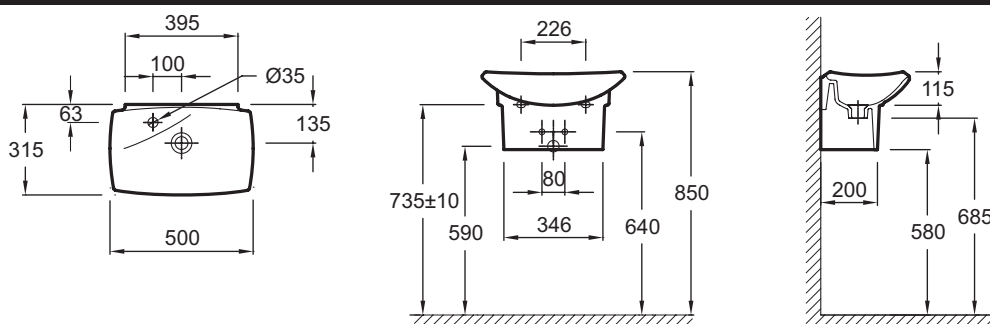
## Features

- Dimensions: 50 x 31.5
- Material: Ceramic
- Faucet drilling: 1 faucet hole
- Handwash basin with integral shroud and overflow cap and towel rail
- Weight: 18.6 kg
- Installation: Self-supporting or can be mounted on a specific cabinet
- Fixings: 2 bolts not included
- Reduced depth

## Required products

- EB763: Base unit 50 cm

## Technical drawing



Product Specification: Handwash basin 50 x 31.5 cm. 19033W. Collection: ESCALE. Dimensions: 50 x 31.5. Weight: 18.6 kg. Material: Ceramic. Installation: Self-supporting or can be mounted on a specific cabinet. Faucet drilling: 1 faucet hole. Fixings: 2 bolts not included. Handwash basin with integral shroud and overflow cap and towel rail. Reduced depth.