



Collection: PATIO

Finish*:



00 - White

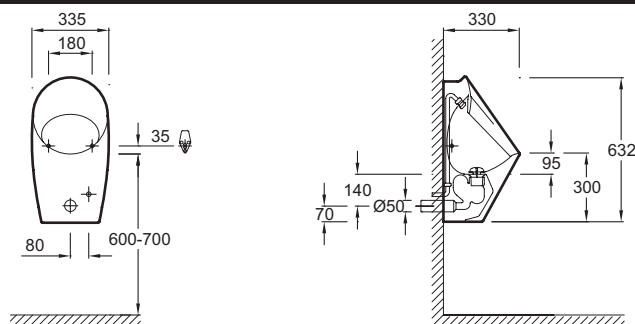
Main features:



Features

- Dimensions: 30 x 62 x 32
- Material: Ceramic
- Fully concealed equipment for added aesthetic and hygiene
- Built-in drainage
- Fixing brackets, water spreader, hose, strainer waste, P trap siphon
- Weight: 18 kg
- Installation: Wall-mount
- Built-in inlet
- Delivered with full equipment

Technical drawing



Product Specification: Urinal 30 x 62 x 32 cm. 18645W. Collection: PATIO. Dimensions: 30 x 62 x 32. Weight: 18 kg. Material: Ceramic. Installation: Wall-mount. Fully concealed equipment for added aesthetic and hygiene. Built-in inlet. Built-in drainage. Delivered with full equipment. Fixing brackets, water spreader, hose, strainer waste, P trap siphon.