

Thermostatic shower column 11717D



Collection: OBL0

Finish*:



CP - Polished Chrome

Main features:



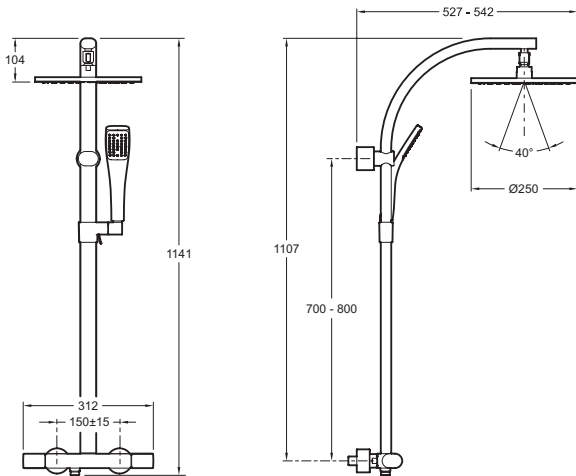
Consumer benefits

- ANTI-SCALE SYSTEM : Smooth anti-twist metal-look hoses, 160 cm
- DIVERTER : on flow control handle

Features

- Weight: 12.1 kg
- Installation: Wall-mount
- E0 small handshower (flow rate: 10 L/min)
- FLOW RATE : shower head 10l/min, handshower 10 l/min

Technical drawing



Product Specification: Thermostatic shower column. 11717D. Collection: OBL0. Weight: 12.1 kg. Installation: Wall-mount. E0 small handshower (flow rate: 10 L/min). FLOW RATE : shower head 10l/min, handshower 10 l/min.