



Collection: OBLO

Finish*:



CP - Polished Chrome

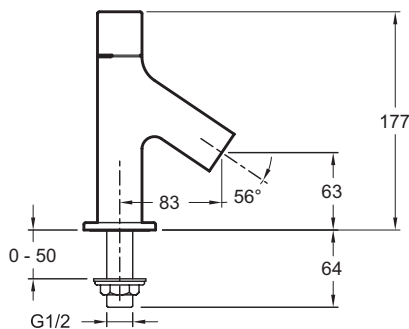
Main features:



Features

- Weight: 0.8 kg
- Flow rate: 6 l/min
- The simple, ergonomic design offers a sleek, modern appeal with a European influence
- Installation: 1 hole
- Mechanism: Ceramic disc heads
- Integrated anti-scale aerator

Technical drawing



Product Specification: 1-hole handwash basin mixer. 10092D. Collection: OBLO. Weight: 0.8 kg. Installation: 1 hole. Flow rate: 6 l/min. Mechanism: Ceramic disc heads. The simple, ergonomic design offers a sleek, modern appeal with a European influence. Integrated anti-scale aerator.