



**Collection:** MODULO

**Finish\*:**



CP - Polished Chrome

**Main features:**



### Consumer benefits

- Equipped with an evacuation system to avoid condensation inside Modulo box
- Classic ergonomic handles for easy grip
- Diverter on flow-control handle
- Safety stop at 38°Cv
- Maximum temperature 50°C

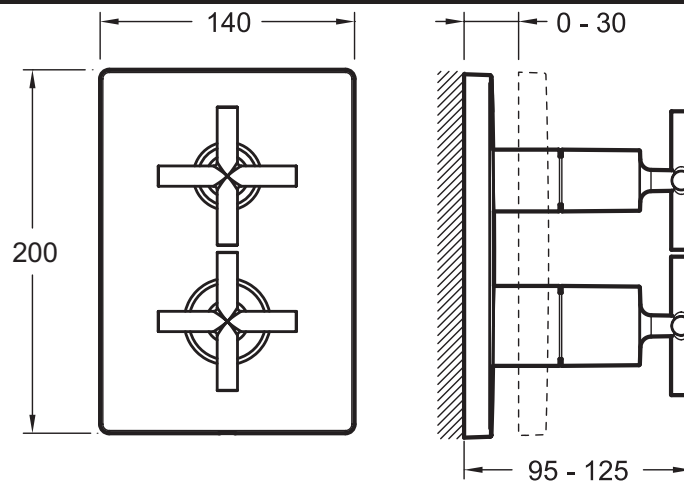
### Installation benefits

- Pre-assembled fixing screws on cartridge box to make installation easier
- Easy-to-install cartridge, thanks to guide notches
- Easy access to built-in body for convenient maintenance (cartridge, etc.)

### Features

- Installation: Built-in
- Incl. thermostatic and flow-control valve
- Filter and non-return valves
- Flow rate: 26 l/min
- Instantaneous water heater suitable
- DVGW NW-6512CP0430

### Technical drawing



Product Specification: Classic trim for built-in bath/shower mixer. 98732D. Collection: MODULO. Installation: Built-in. Flow rate: 26 l/min. Incl. thermostatic and flow-control valve. Instantaneous water heater suitable. Filter and non-return valves. DVGW NW-6512CP0430.