



Collection: BRIVE

Finish*:

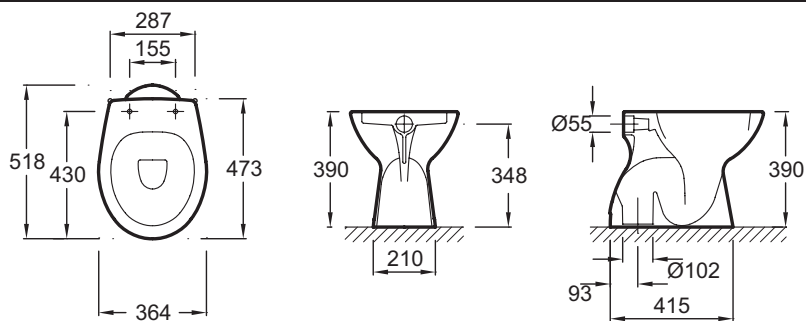


00 - White

Features

- Dimensions: 51 x 36
- S-trap outlet
- Installation: Independent
- 2-volume flow technique 3/6 l

Technical drawing



Product Specification: Ducted pan S-trap. 15552K. Collection: BRIVE. Dimensions: 51 x 36. Installation: Independent. S-trap outlet. 2-volume flow technique 3/6 l.