

**Collection:** LOVEE**Finish*:**

00 - White

Features

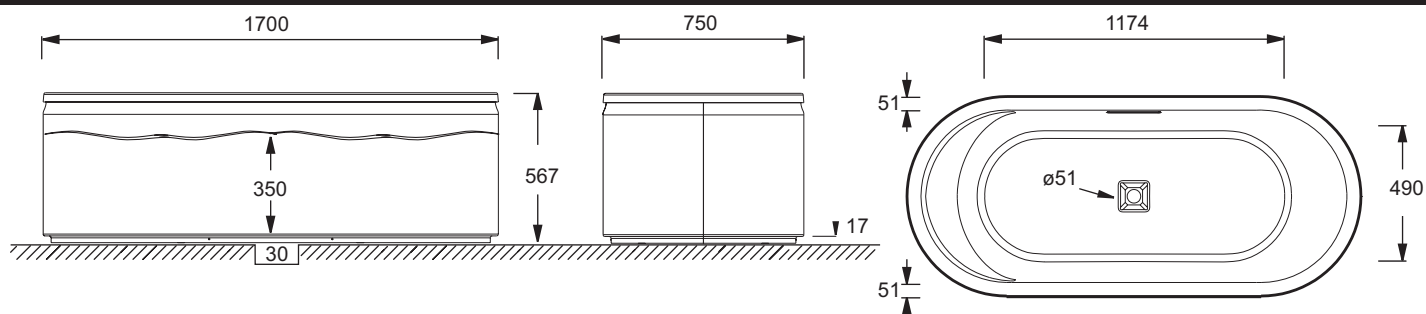
• Weight: 40 kg

• Material: Acrylic

Optional products

• Lovee baths

Technical drawing



Product Specification: Apron for Lovee freestanding bathtub. 1148034KE. Collection: LOVEE. Weight: 40 kg. Material: Acrylic.