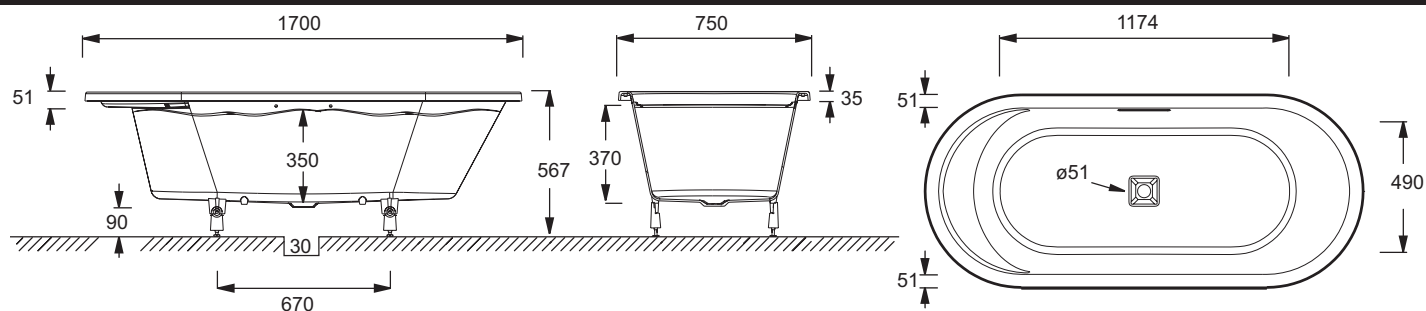


Clicker waste and chrome plated overflow**17758T****Collection:** LOVEE**Finish*:**CP - Polished
Chrome**Features**

- Weight: 1.6 kg

Technical drawing

Product Specification: Clicker waste and chrome plated overflow. 17758T. Collection: LOVEE. Weight: 1.6 kg.